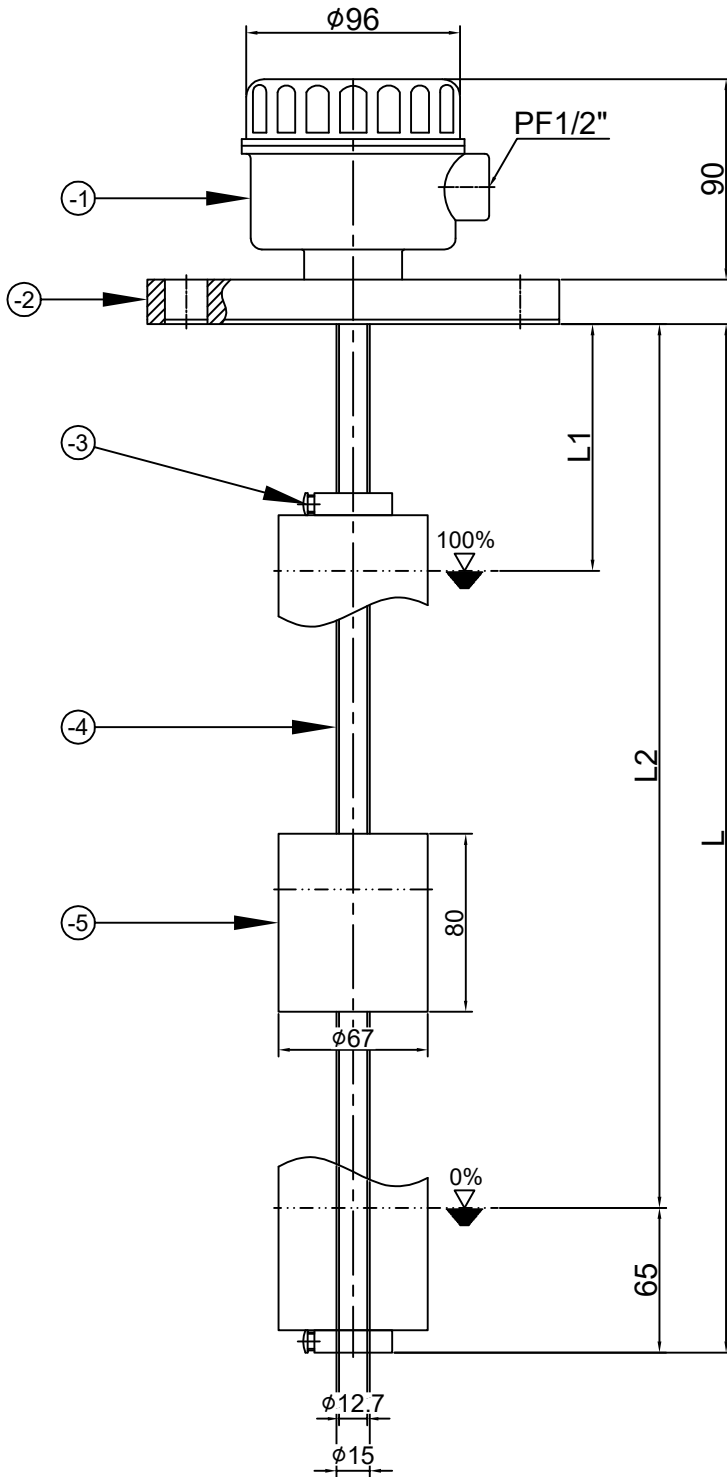


DWG NO
-
ON S/W

THIS DRAWING IS PROPRIETARY TO DSS
NO PART OF THIS DRAWING MAY BE REPRODUCED
WITHOUT THE PERMISSION OF DSS
이 기밀로 취급될 수 있음



(UNIT:mm)

L	L1	L2	-	-
-5	PIPE	1	SUS304+P.T.F.E	
-4	PIPE	1	SUS304+P.T.F.E	
-3	STOPPER	2	P.T.F.E	
-2	FLANGE	1	SUS304+P.T.F.E	
-1	HEAD	1	A.B.S	
1	DT-200T	1SET	-	
ITEM NO	PART NAME	QTY	MATERIAL	
SPECIFICATION				
MODEL NAME		DT-200T		
PRESSURE		MAX. 2Kg/cm ²		
TEMPERATURE		MAX. -10 ~ +60°C		
APPLICATIONS		WATER, OIL, MEDICAL LIQUID		
OUTPUT SIGNAL		4~20mA		
INPUT SINGAL		DC24V		
MOUNTING METHOD		TOP		
MOUNTING SIZE		ORDER MADE		
MATERIAL		P.T.F.E		
REMARKS :				
ORDER MADE(L1, L2, L=L2+65)				

배부처

NO	DATE	REVISION	APPD BY	TOLERANCES-UNLESS OTHERWISE SPECIFIED				DONG SUNG SENSORS CO.,LTD. TEL:(02)2101-0688-9 FAX:(02)2101-0687		UNIT 단위	MM, INCH	APPAR.	-
△	2014	01.27	K.B. HAN	WORK SIZE	TURN PRING DIST OF HOLE STR.	MILDG. DIE CSTG PRON. CSTG DRAW.	SH MET WELD. GAS CTG.	CSTG. FORG.	SCALE 척도	N/S	TITLE 제목	DT-200T	
1	4	±0.1	±0.2	±0.3	±0.5	±0.7	±0.9	±1.3	3RD ANGLE 3 각 법	REF. NO 참고도면	DWG. NO 도면번호	-	
4	16	±0.2	±0.3	±0.5	±0.7	±0.9	±1.3	±1.8	DATE	2019.08.01.	2019.08.01.	1/1	
16	63	±0.3	±0.4	±0.7	±0.9	±1.3	±1.8	±2.5					
63	250	±0.4	±0.6	±1.2	±1.8	±2.5	±3.3	±4.0					
250	500	±0.6	±1.0	±2.0	±2.5	±3.3	±4.0	±5.0					
500	1000	±0.8	±1.5	±3.0	±4.0	±5.0	±6.3	±8.0					
1000	2000	±1.2	±2.0	±4.0	±5.0	±6.3	±8.0	±10.0					
ANGLE		±.25°	±5°	±1.0°	±2.0°								