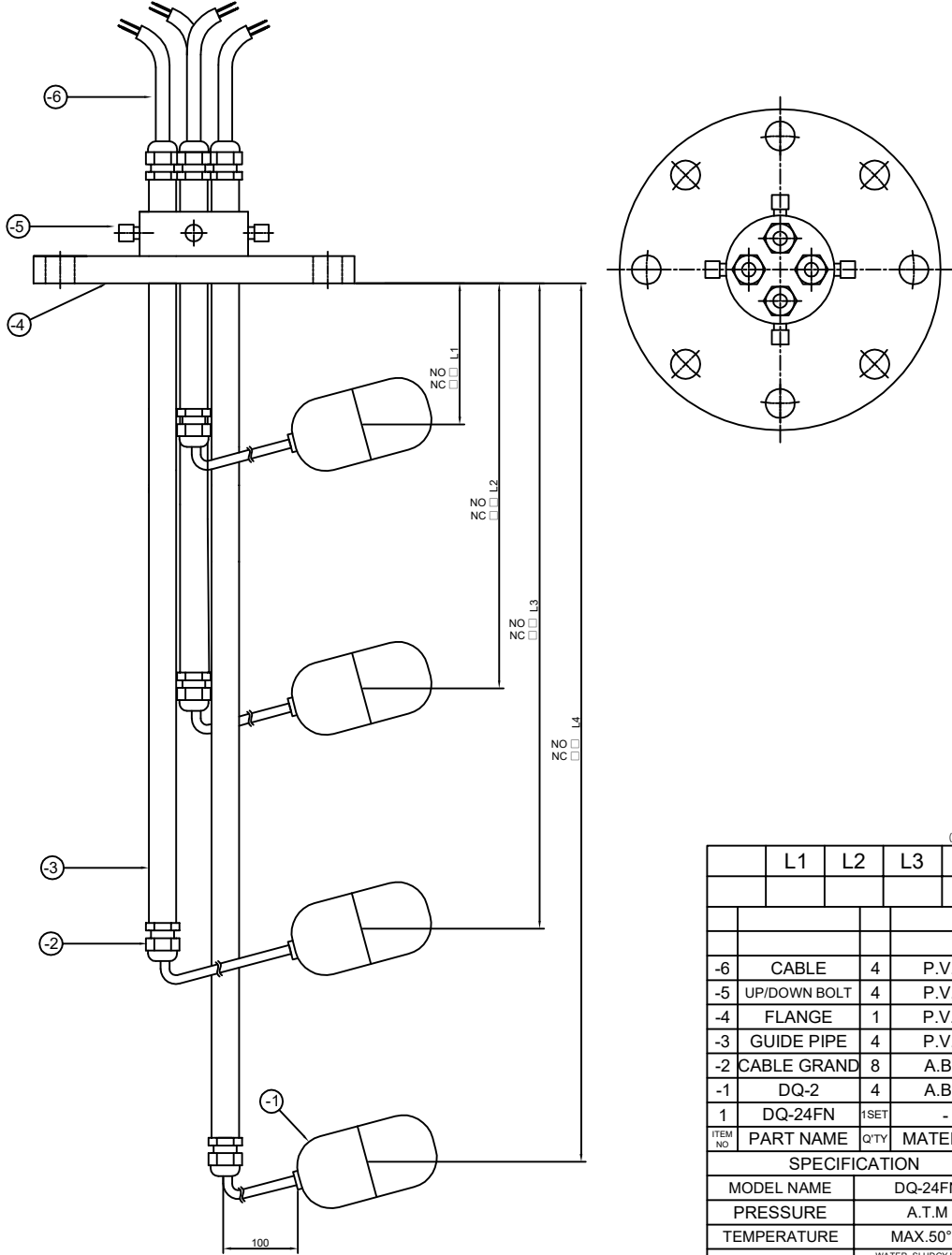


ON SWID

THIS DRAWING IS PROPRIETARY TO DSS
NO PART OF THIS DRAWING MAY BE REPRODUCED
WITHOUT THE PERMISSION OF DSS
본 기밀도어 기술은 무단으로 복제할 수 없습니다



(UNIT:MM)

	L1	L2	L3	L4
-6	CABLE	4	P.V.C	
-5	UP/DOWN BOLT	4	P.V.C	
-4	FLANGE	1	P.V.C	
-3	GUIDE PIPE	4	P.V.C	
-2	CABLE GRAND	8	A.B.S	
-1	DQ-2	4	A.B.S	
1	DQ-24FN	1SET	-	
ITEM NO	PART NAME	Q'TY	MATERIAL	
SPECIFICATION				
MODEL NAME		DQ-24FN		
PRESSURE		A.T.M		
TEMPERATURE		MAX.50°C		
APPLICATIONS		WATER, SLUDGY LIQUID, FACTORY DRAINAGE		
SWITCHING CURRENT		AC220V, 3A		
MOUNTING METHOD		TOP		
MOUNTING SIZE		ORDER MADE		
REMARKS :				
ORDER MADE(L1, L2, L3, L4)				

배부처

APPD BY	K.B.HAN	TOLERANCES-UNLESS OTHERWISE SPECIFIED				DONG SUNG SENSORS CO.,LTD. TEL:(02)2101-0688-9 FAX:(02)2101-0687	UNIT	MM, INCH	APPAR.	-
REVISION	INITIAL RELEASE	WORK SIZE	TURN PUNCH DIST OF HOLE STR.	MLDG. DIE CSTG. PRIN. CSTG. DRAW.	SHIMMET WELD GAS CSTG.		CSTG. FORKS	SCALE	N/S	TITLE
DATE	2023.03.25	1 4 ±0.1	4 16 ±0.2	16 63 ±0.3	63 250 ±0.4	250 500 ±0.6	500 1000 ±0.8	1000 2000 ±1.2	ANGLE	DQ-24FN
NO	△	25°	+5°	+10°	+20°					
DATE	2023.03.25.	2023.03.25.	J.H.HAN K.B.HAN		REF. NO	DWG. NO	- 1/1			
					참고도면	도면번호				