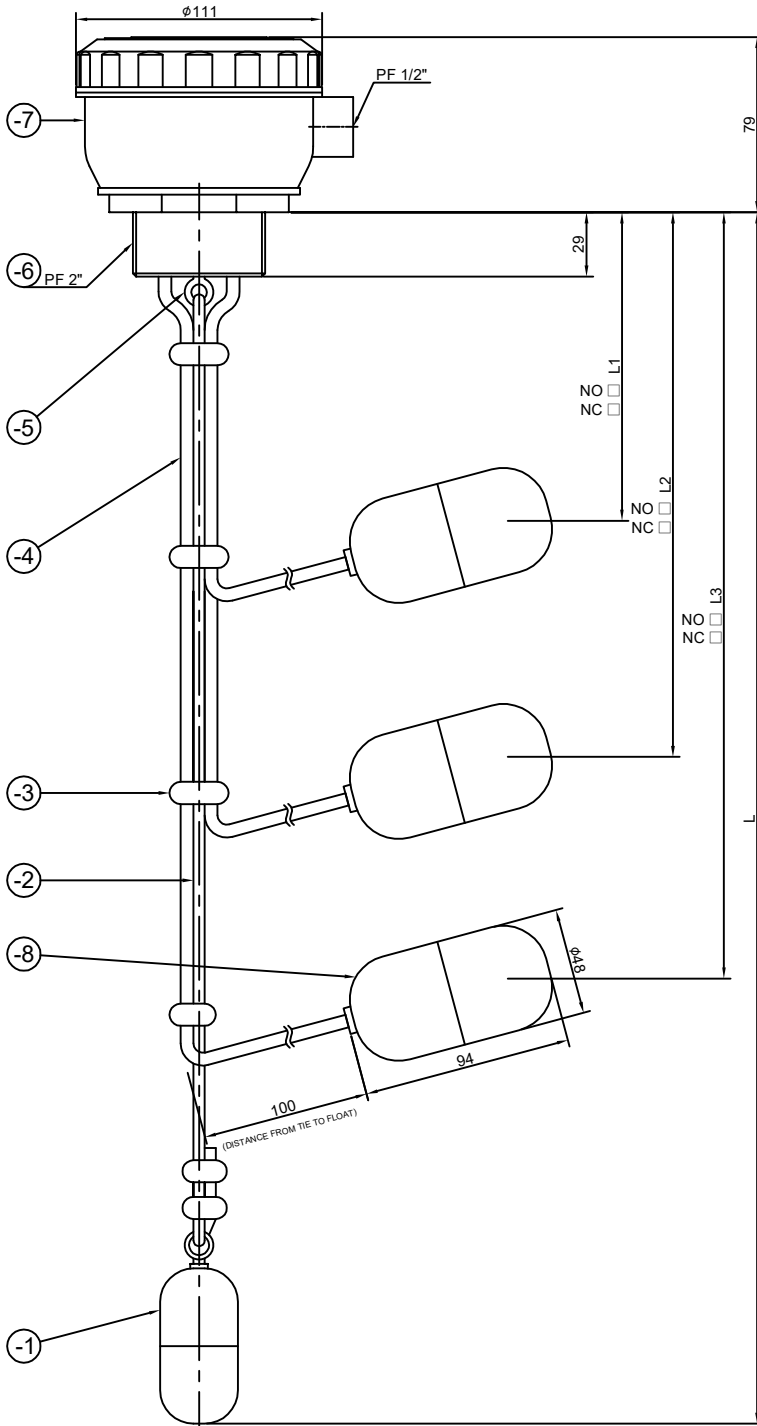


ON GWD

THIS DRAWING IS PROPRIETARY TO DSS
NO PART OF THIS DRAWING MAY BE REPRODUCED
WITHOUT THE PERMISSION OF DSS
이 기밀 정보로 취급되며 무단 복제 금지



NO	DATE	REVISION	INITIAL	RELEASE	BY	APPR
	2014.01.27				K.B.HAN	

NO	DATE	REVISION	INITIAL	RELEASE	BY	APPR
	2014.01.27				K.B.HAN	

DONG SUNG SENSORS CO.,LTD. TEL:(02)2101-0688-9 FAX:(02)2101-0687				UNIT	MM, INCH
DRWN BY	DSND BY	CHKD BY	APPD BY	SCALE	N/S
J.S.LIM	K.B.HAN			3RD ANGLE	3각법
DATE	2013.12.02.	2014.01.06.		REF. NO	참고도면

APPAR.	-
TITLE	-
DWG. NO	-
도면번호	1/1

(UNIT:mm)				
L	L1	L2	L3	-
-8	DQ-2	3	A.B.S	
-7	HEAD	1	A.B.S	
-6	BUSHING	1	A.B.S	
-5	EYE BOLT	1	NYLON	
-4	CABLE	3	NEOPRENE	
-3	CABLE TIE	6	A.B.S	
-2	P.P WIRE	1	P.P	
-1	WEIGHT	1	ABS+SS41	
1	DQ-23N	1SET	-	
ITEM NO	PART NAME	QTY	MATERIAL	
SPECIFICATION				
MODEL NAME		DQ-23N		
PRESSURE		A.T.M		
TEMPERATURE		MAX.50°C		
APPLICATIONS		WATER, SLUDGY LIQUID, FACTORY DRAINAGE		
SWITCHING CURRENT		AC220V, 3A		
MOUNTING METHOD		TOP		
MOUNTING SIZE		PF 2"		
REMARKS :				
ORDER MADE(L, L1, L2, L3)				