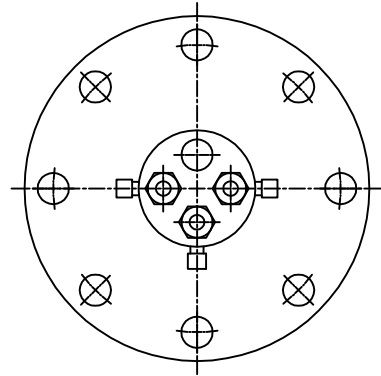
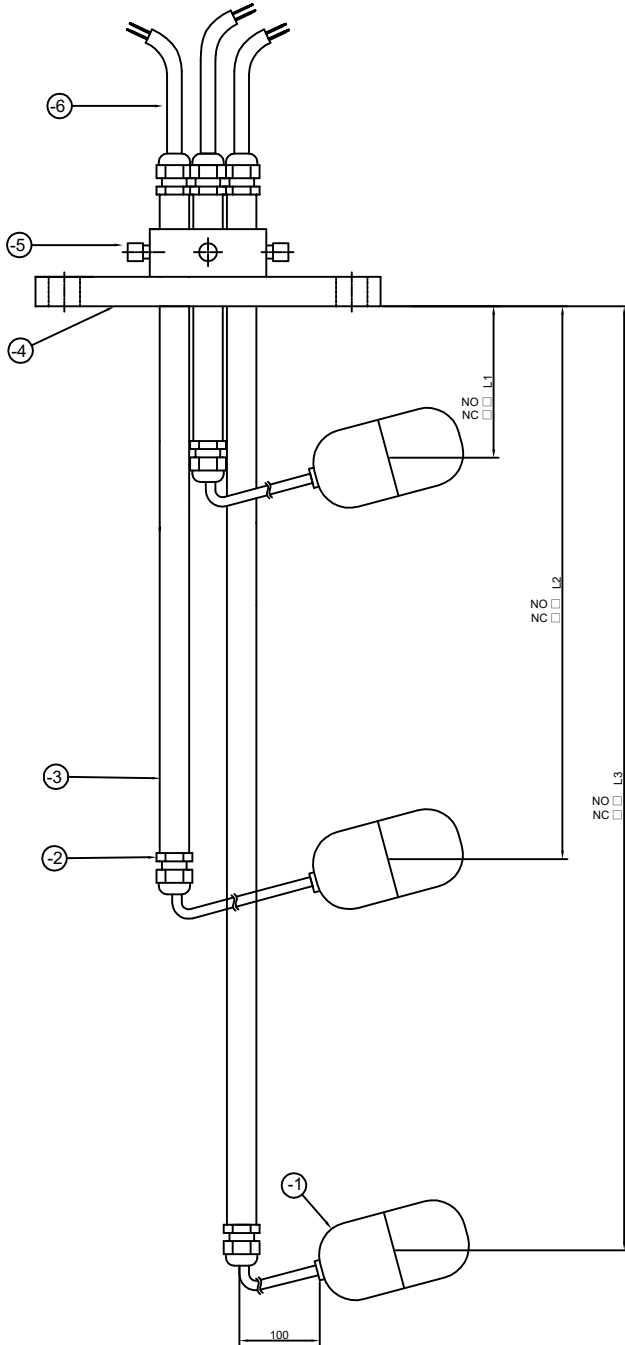


ON D/W/D

THIS DRAWING IS PROPRIETARY TO DSS  
NO PART OF THIS DRAWING MAY BE REPRODUCED  
WITHOUT THE PERMISSION OF DSS  
97218201 1474 10 10 10



	L1	L2	L3	L4
-6	CABLE	3	P.V.C	
-5	UP/DOWN BOLT	3	P.V.C	
-4	FLANGE	1	P.V.C	
-3	GUIDE PIPE	3	P.V.C	
-2	CABLE GRAND	6	A.B.S	
-1	DQ-2	3	A.B.S	
1	DQ-23FN	1SET	-	
ITEM NO	PART NAME	Q'TY	MATERIAL	
SPECIFICATION				
MODEL NAME	DQ-23FN			
PRESSURE	A.T.M			
TEMPERATURE	MAX.50°C			
APPLICATIONS	WATER, SLUDGY LIQUID, FACTORY DRAINAGE			
SWITCHING CURRENT	AC220V, 3A			
MOUNTING METHOD	TOP			
MOUNTING SIZE	ORDER MADE			
REMARKS :				
ORDER MADE(L1, L2, L3, L4)				

배부처

NO	DATE	REVISION	BY	K.B.	H.AN	TOLERANCES-UNLESS OTHERWISE SPECIFIED				
						WORK SIZE	TURN PITCH DIST OF HOLE STR.	M.LD.G. DIE CASTG. PRGN. CASTG. DRAW.	SH.MET WELD GAS CASTG.	CSTG. FORG.
1	4	±0.1	±0.2	±0.3	±0.5					
4	16	±0.2	±0.3	±0.5	±0.7					
16	63	±0.3	±0.4	±0.7	±0.9					
63	250	±0.4	±0.6	±1.2	±1.3					
250	500	±0.6	±0.8	±1.5	±1.8					
500	1000	±0.8	±1.0	±2.0	±2.5					
1000	2000	±1.2	±1.5	±2.5	±3.3					
		ANGLE	±.25°	±.5°	±1.0°	±2.0°				

<b>DONG SUNG SENSORS CO.,LTD.</b> TEL:(02)2101-0688~9 FAX:(02)2101-0687				UNIT 단위	MM, INCH	APPAR.	-
표준	DRWN BY 제 도	DSND BY 설 계	CHKD BY 인 편	APPD BY 승 인	SCALE 척 도	N/S	TITLE 제 목
임시	J.H.HAN	K.B.HAN				3RD ANGLE 3 각 법	DQ-23FN
DATE	2023.03.25.	2023.03.25.				REF. NO 참 고 도 면	DWG. NO 도 면 번 호
							-
							1/1