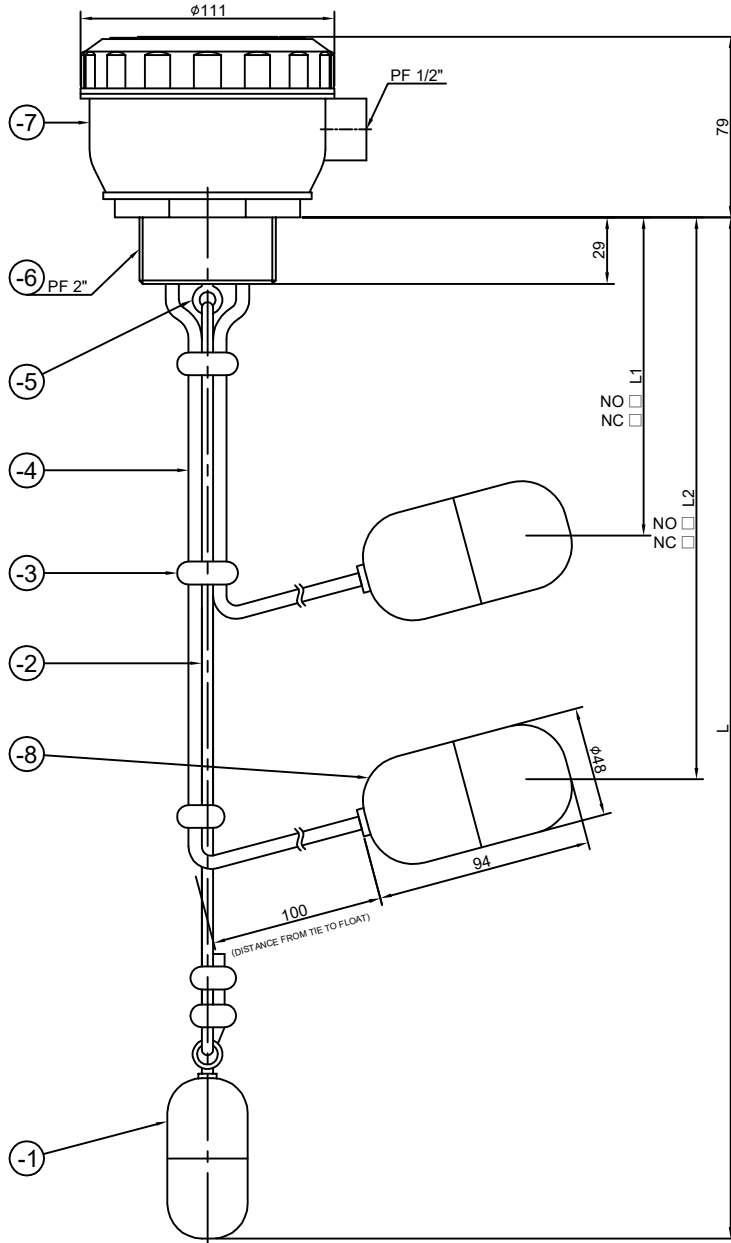


DWG NO. 2014.01.27

THIS DRAWING IS PROPRIETARY TO DSS  
NO PART OF THIS DRAWING MAY BE REPRODUCED  
WITHOUT THE PERMISSION OF DSS  
허가없이 복사할 수 없습니다



(UNIT:mm)

L	L1	L2	-	-
-8	DQ-2	2	A.B.S	
-7	HEAD	1	A.B.S	
-6	BUSHING	1	A.B.S	
-5	EYE BOLT	1	NYLON	
-4	CABLE	2	NEOPRENE	
-3	CABLE TIE	5	A.B.S	
-2	P.P WIRE	1	P.P	
-1	WEIGHT	1	ABS+SS41	
1	DQ-22N	1SET	-	
ITEM NO	PART NAME	Q'TY	MATERIAL	

**SPECIFICATION**

MODEL NAME	DQ-22N
PRESSURE	A.T.M
TEMPERATURE	MAX.50°C
APPLICATIONS	WATER, SLUDGY LIQUID, FACTORY DRAINAGE
SWITCHING CURRENT	AC220V, 3A
MOUNTING METHOD	TOP
MOUNTING SIZE	PF 2"
REMARKS :	ORDER MADE(L, L1, L2)

배부처

NO	DATE	REVISION	APPD BY	CHK BY	DATE
1	2014.01.27	INITIAL RELEASE	K.B. HAN		

WORK SIZE	TURN INCHG DIST OF HOLE STR.	MLDG. DIE CSTG. PRCN. CSTG. DRAW.	SH MET WELD GAS CTG.	CSTG FORG.
1	± 0.1	± 0.2	± 0.3	± 0.5
4	± 0.2	± 0.3	± 0.5	± 0.7
16	± 0.3	± 0.4	± 0.7	± 0.9
63	± 0.4	± 0.5	± 1.2	± 1.3
250	± 0.6	± 0.8	± 1.5	± 1.8
500	± 0.8	± 1.0	± 2.0	± 2.5
1000	± 1.2	± 1.5	± 2.5	± 3.3
ANGLE	± 25°	± 5°	± 1.0°	± 2.0°

DONG SUNG SENSORS CO.,LTD. TEL:(02)2101-0688-9 FAX:(02)2101-0687				UNIT 단위	MM, INCH
SCALE 척도				N/S	3RD ANGLE 3각법
DRWN BY 제도	DSND BY 설계	CHKD BY 검토	APPD BY 승인	TITLE 제목	DQ-22N
DATE	2013.12.02.	2014.01.06.		REF. NO 참고도면	DWG. NO 도면번호

APPAR.	-
TITLE	DQ-22N
DWG. NO	-
도면번호	1/1