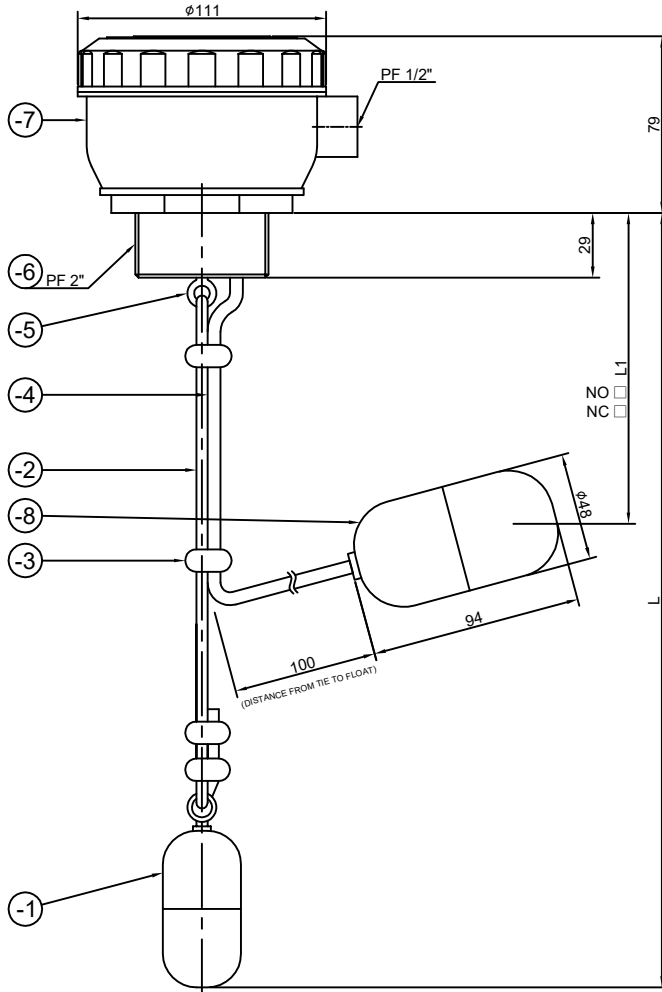


DWG NO.

THIS DRAWING IS PROPRIETARY TO DSS
NO PART OF THIS DRAWING MAY BE REPRODUCED
WITHOUT THE PERMISSION OF DSS
모든 권리가 DSS에 있습니다.



NO L1
NC

(UNIT:mm)

L	L1	-	-	-
-8	DQ-2	1	A.B.S	
-7	HEAD	1	A.B.S	
-6	BUSHING	1	A.B.S	
-5	EYE BOLT	1	NYLON	
-4	CABLE	1	NEOPRENE	
-3	CABLE TIE	4	A.B.S	
-2	P.P WIRE	1	P.P	
-1	WEIGHT	1	ABS+SS41	

1	DQ-21N	1SET	-
ITEM NO.	PART NAME	Q'TY	MATERIAL
SPECIFICATION			
MODEL NAME		DQ-21N	
PRESSURE		A.T.M	
TEMPERATURE		MAX.50°C	
APPLICATIONS		WATER, SLUDGY LIQUID, FACTORY DRAINAGE	
SWITCHING CURRENT		AC220V, 3A	
MOUNTING METHOD		TOP	
MOUNTING SIZE		PF 2"	
REMARKS :			
ORDER MADE(L, L1)			

배부처

NO	DATE	REVISION	APPD BY	K.B. HAN	TOLERANCES-UNLESS OTHERWISE SPECIFIED					DONG SUNG SENSORS CO.,LTD. TEL:(02)2101-0688-9 FAX:(02)2101-0687	UNIT 단위	MM, INCH	APPAR.	TITLE 제목	DWG. NO 도면번호	1/1
					WORK SIZE	TURN PUNCH DIST OF HOLE STR.	MILDG DIE CSTG. PRCN. CSTG. DRAW.	SH MET WELD GAS CTG.	CSTG. FORG.							
1	4	±0.1	±0.2	±0.3	±0.5	표시	J.S.LIM	K.B.HAN								
4	16	±0.2	±0.3	±0.5	±0.7	보류										
16	63	±0.3	±0.4	±0.7	±0.9											
63	250	±0.4	±0.5	±1.2	±1.3											
250	500	±0.6	±0.8	±1.5	±1.8											
500	1000	±0.8	±1.0	±2.0	±2.5											
1000	2000	±1.2	±1.5	±2.5	±3.3											
ANGLE		±.25°	±.5°	±1.0°	±2.0°		DATE	2013.12.02.	2014.01.06.							