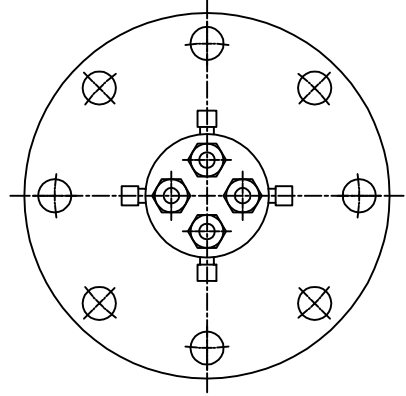
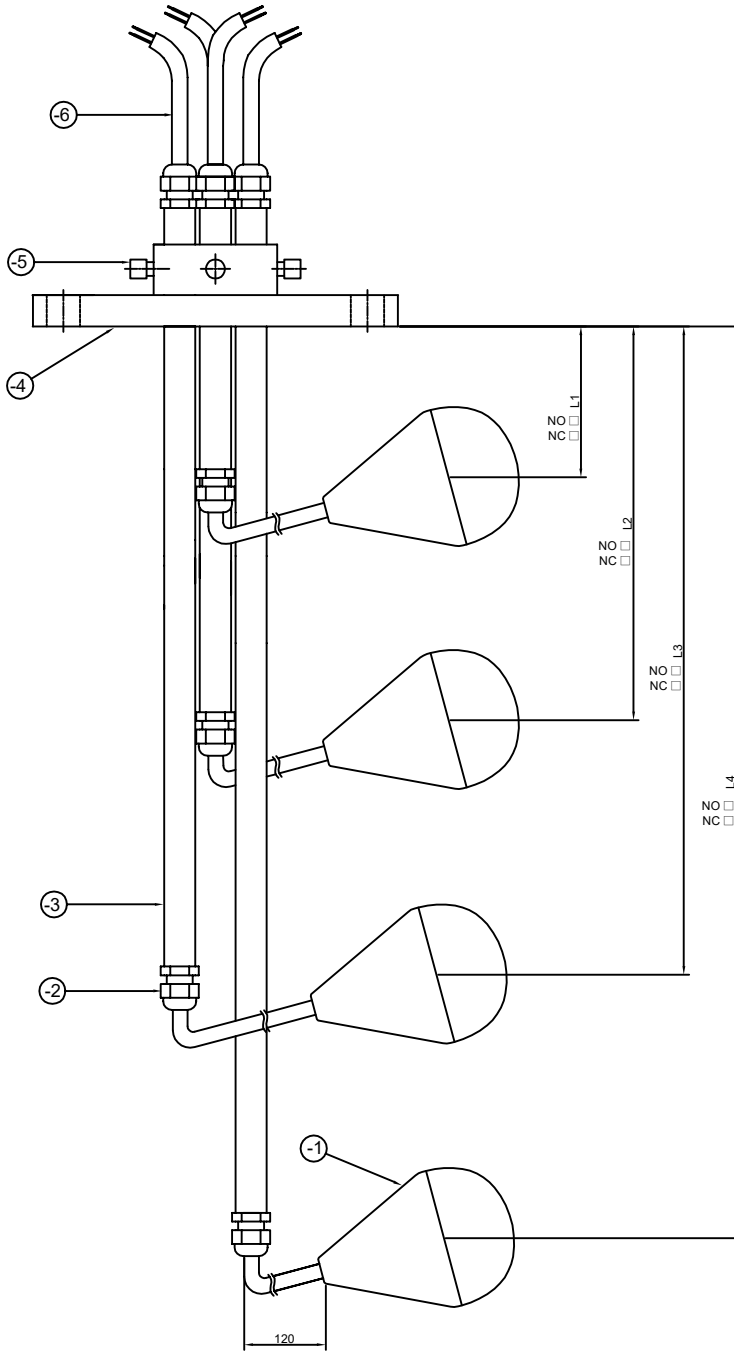


THIS DRAWING IS PROPRIETARY TO DSS.  
NO PART OF THIS DRAWING MAY BE REPRODUCED  
WITHOUT THE PERMISSION OF DSS.  
해기물이 복사할 수 없음



(UNIT:mm)

	L1	L2	L3	L4
-6	CABLE	4	P.V.C	
-5	UP/DOWN BOLT	4	P.V.C	
-4	FLANGE	1	P.V.C	
-3	GUIDE PIPE	4	P.V.C	
-2	CABLE GRAND	8	A.B.S	
-1	DQ-1	4	A.B.S	
1	DQ-14FN	1SET	-	
ITEM NO	PART NAME	Q'TY	MATERIAL	
SPECIFICATION				
MODEL NAME		DQ-14FN		
PRESSURE		A.T.M		
TEMPERATURE		MAX.50°C		
APPLICATIONS		WATER, SLUDGY LIQUID, FACTORY DRAINAGE		
SWITCHING CURRENT		AC220V, 3A		
MOUNTING METHOD		TOP		
MOUNTING SIZE		ORDER MADE		
REMARKS :				
ORDER MADE(L1, L2, L3, L4)				

배부처

APD BY	K.B. HAN	TOLERANCES-UNLESS OTHERWISE SPECIFIED	<b>DONG SUNG SENSORS CO.,LTD</b> TEL:(02)2101-0688~9 FAX:(02)2101-0687	UNIT	MM, INCH	APPAR.	-
REVISION	INITIAL RELEASE	WORK SIZE TURN PUNCHG DIST OF HOLE STR. M.L.D.G. DIE CSTG. DRON. CSTG. DRAW. SHMET WELD GAS CTG. CSTG. FORGL.		SCALE 3RD ANGLE 3 각 법	TITLE	DQ-14FN	
DATE	2023.03.25	1 4 ±0.1 ±0.2 ±0.3 ±0.5 4 16 ±0.2 ±0.3 ±0.5 ±0.7 16 63 ±0.3 ±0.4 ±0.7 ±0.9 63 250 ±0.4 ±0.6 ±1.2 ±1.3 250 500 ±0.6 ±0.8 ±1.5 ±1.8 500 1000 ±0.8 ±1.0 ±2.0 ±2.5 1000 2000 ±1.2 ±1.5 ±2.5 ±3.3 ANGLE 2.25° ±5° ±1.0° ±2.0°	표준 DRWN BY J.H.HAN DSND BY K.B.HAN CHKD BY APPD BY	REF. NO	DWG. NO	1/1	
NO	Δ		DATE	2023.03.25.	2023.03.25.	참고도면	-