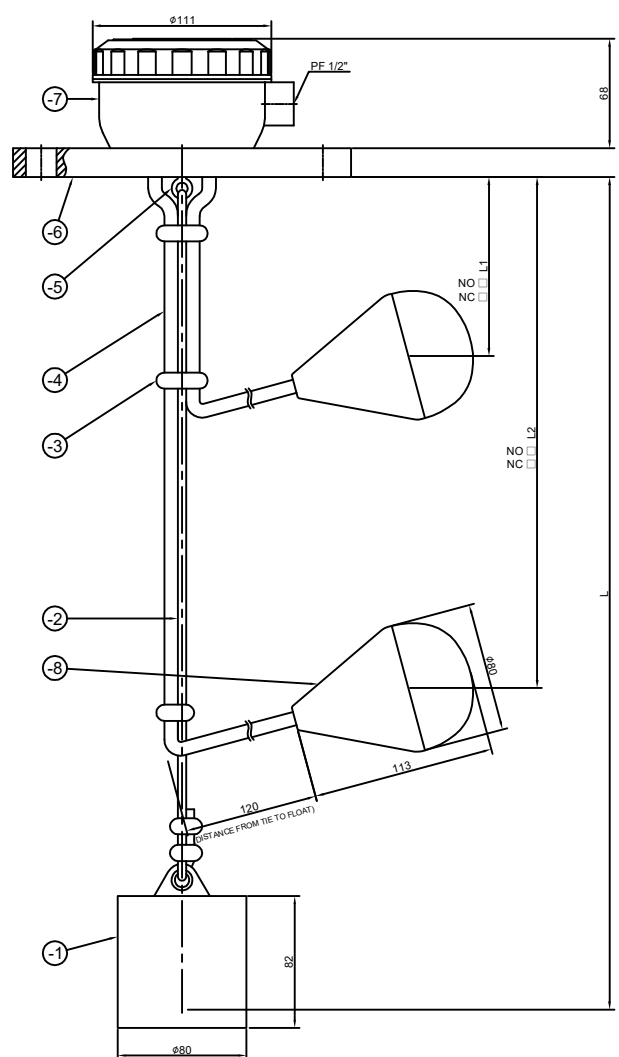


DWG NO
ON GMD

THIS DRAWING IS PROPRIETARY TO DSS
REPRODUCING ANYWAY BE REPRODUCED
WITHOUT THE PERMISSION OF DSS
본사 기밀로 취급하며 복제할 수 없습니다.



(UNIT:mm)

L	L1	L2	-	-
-8	DQ-1	2	A.B.S	
-7	HEAD	1	A.B.S	
-6	FLANGE	1	P.P	
-5	EYE BOLT	1	NYLON	
-4	CABLE	2	NEOPRENE	
-3	CABLE TIE	5	A.B.S	
-2	P.P WIRE	1	P.P	
-1	WEIGHT	1	ABS+SS41	
1	DQ-12F	1SET	-	
ITEM NO	PART NAME	Q'TY	MATERIAL	

SPECIFICATION	
MODEL NAME	DQ-12F
PRESSURE	A.T.M
TEMPERATURE	MAX.50°C
APPLICATIONS	WATER, SLUDGY LIQUID, FACTORY DRAINAGE
SWITCHING CURRENT	AC220V, 3A
MOUNTING METHOD	TOP
MOUNTING SIZE	ORDER MADE
REMARKS :	ORDER MADE(L, L1, L2)

배부처							

APPD BY	K.B.HAN	DATE	2014.01.06.																																													
REVISION	INITIAL RELEASE	DATE	2014.01.27.																																													
<table border="1"> <tr> <th>WORK SIZE</th> <th>TURN PUNCHES DIST OF HOLE STR.</th> <th>M.D.G. DIE CSTDG. PRCON. CSTDG. DRAW.</th> <th>GR.MET WELD GAS CTDG.</th> <th>C STDG. FORG.</th> </tr> <tr> <td>1 4</td> <td>±0.1</td> <td>±0.2</td> <td>±0.3</td> <td>±0.5</td> </tr> <tr> <td>4 16</td> <td>±0.3</td> <td>±0.3</td> <td>±0.5</td> <td>±0.7</td> </tr> <tr> <td>16 63</td> <td>±0.5</td> <td>±0.4</td> <td>±0.7</td> <td>±0.9</td> </tr> <tr> <td>63 250</td> <td>±0.4</td> <td>±0.5</td> <td>±1.2</td> <td>±1.3</td> </tr> <tr> <td>250 500</td> <td>±0.6</td> <td>±0.8</td> <td>±1.5</td> <td>±1.9</td> </tr> <tr> <td>500 1000</td> <td>±0.8</td> <td>±1.0</td> <td>±2.0</td> <td>±2.5</td> </tr> <tr> <td>1000 2000</td> <td>±1.2</td> <td>±1.5</td> <td>±2.5</td> <td>±3.3</td> </tr> <tr> <td>ANGLE</td> <td>±.25°</td> <td>±.5°</td> <td>±1.0°</td> <td>±2.0°</td> </tr> </table>				WORK SIZE	TURN PUNCHES DIST OF HOLE STR.	M.D.G. DIE CSTDG. PRCON. CSTDG. DRAW.	GR.MET WELD GAS CTDG.	C STDG. FORG.	1 4	±0.1	±0.2	±0.3	±0.5	4 16	±0.3	±0.3	±0.5	±0.7	16 63	±0.5	±0.4	±0.7	±0.9	63 250	±0.4	±0.5	±1.2	±1.3	250 500	±0.6	±0.8	±1.5	±1.9	500 1000	±0.8	±1.0	±2.0	±2.5	1000 2000	±1.2	±1.5	±2.5	±3.3	ANGLE	±.25°	±.5°	±1.0°	±2.0°
WORK SIZE	TURN PUNCHES DIST OF HOLE STR.	M.D.G. DIE CSTDG. PRCON. CSTDG. DRAW.	GR.MET WELD GAS CTDG.	C STDG. FORG.																																												
1 4	±0.1	±0.2	±0.3	±0.5																																												
4 16	±0.3	±0.3	±0.5	±0.7																																												
16 63	±0.5	±0.4	±0.7	±0.9																																												
63 250	±0.4	±0.5	±1.2	±1.3																																												
250 500	±0.6	±0.8	±1.5	±1.9																																												
500 1000	±0.8	±1.0	±2.0	±2.5																																												
1000 2000	±1.2	±1.5	±2.5	±3.3																																												
ANGLE	±.25°	±.5°	±1.0°	±2.0°																																												
DONG SUNG SENSORS CO.,LTD TEL:(02)2101-0688~9 FAX:(02)2101-0687																																																
DRWN BY	J.S.LIM	DATE	2013.12.02.																																													
DSND BY	K.B.HAN	DATE	2014.01.06.																																													

UNIT	MM, INCH	APPAR.	-
SCALE	N/S	TITLE	-
3RD ANGLE	3각법	제목	DQ-12F
REF. NO	참고도면	DWG. NO	-
			1/1