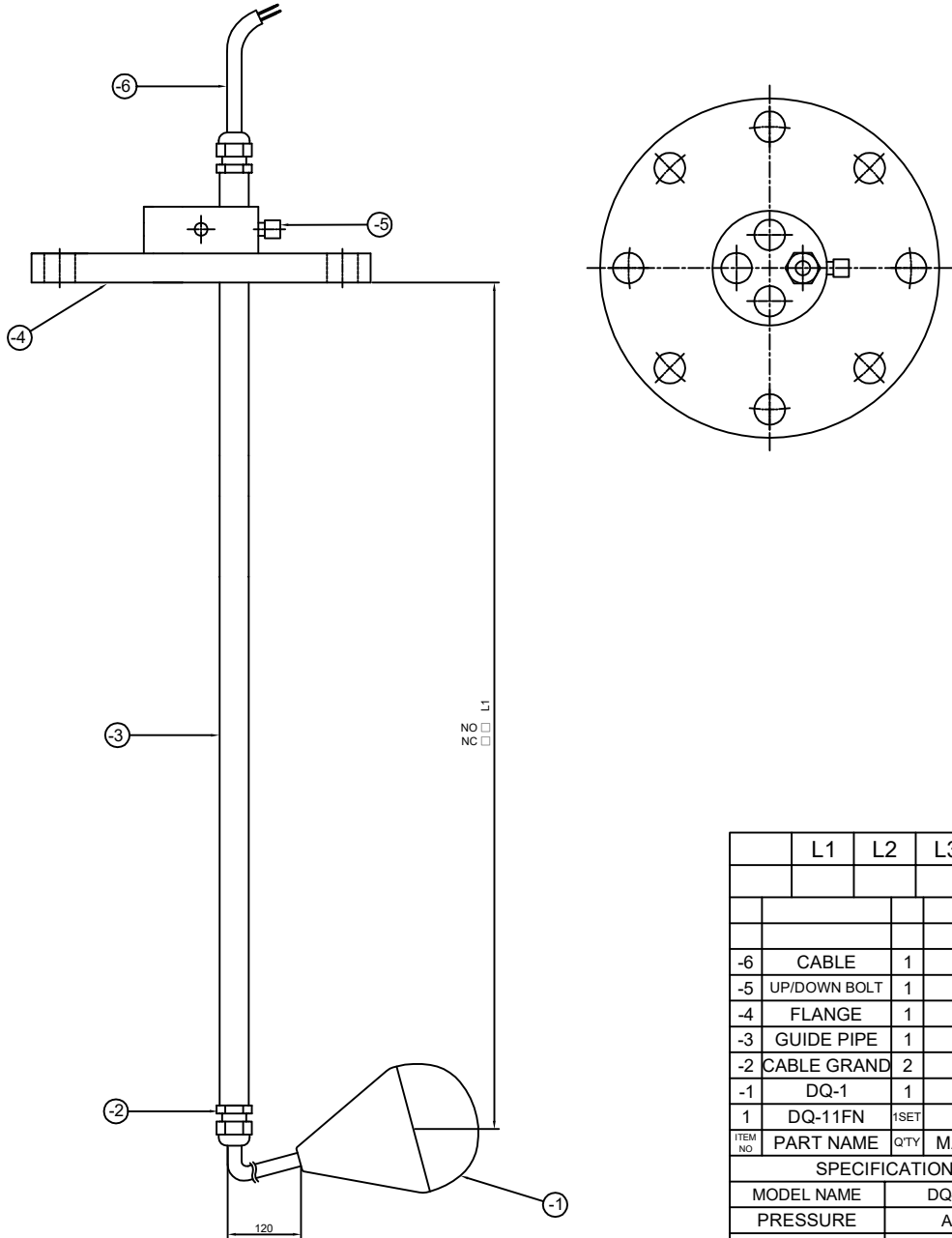


ON S/W

THIS DRAWING IS PROPRIETARY TO DSS
NO PART OF THIS DRAWING MAY BE REPRODUCED
WITHOUT THE PERMISSION OF DSS
02)2101-0688-9 FAX:02)2101-0687



(UNIT:mm)

	L1	L2	L3	L4
-6	CABLE	1	P.V.C	
-5	UP/DOWN BOLT	1	P.V.C	
-4	FLANGE	1	P.V.C	
-3	GUIDE PIPE	1	P.V.C	
-2	CABLE GRAND	2	A.B.S	
-1	DQ-1	1	A.B.S	
1	DQ-11FN	1SET	-	
ITEM NO	PART NAME	QTY	MATERIAL	

SPECIFICATION	
MODEL NAME	DQ-11FN
PRESSURE	A.T.M
TEMPERATURE	MAX.50°C
APPLICATIONS	WATER, SLUDGY LIQUID, FACTORY DRAINAGE
SWITCHING CURRENT	AC220V, 3A
MOUNTING METHOD	TOP
MOUNTING SIZE	ORDER MADE

REMARKS :
ORDER MADE(L1, L2, L3, L4)

배부처

NO	DATE	REVISION	APPD BY	BY	REASON
1	2023.03.25	03.25	K.B.HAN		INITIAL RELEASE

DONG SUNG SENSORS CO.,LTD TEL:(02)2101-0688-9 FAX:(02)2101-0687				UNIT MM, INCH
DRWN BY: J.H.HAN DSND BY: K.B.HAN CHKD BY: K.B.HAN APPD BY: K.B.HAN				SCALE N/S
DATE: 2023.03.25				REF. NO 참고도면

3RD ANGLE 3 각 법	DWG. NO 도면번호
TITLE 제목	DQ-11FN
DWG. NO 도면번호	1/1