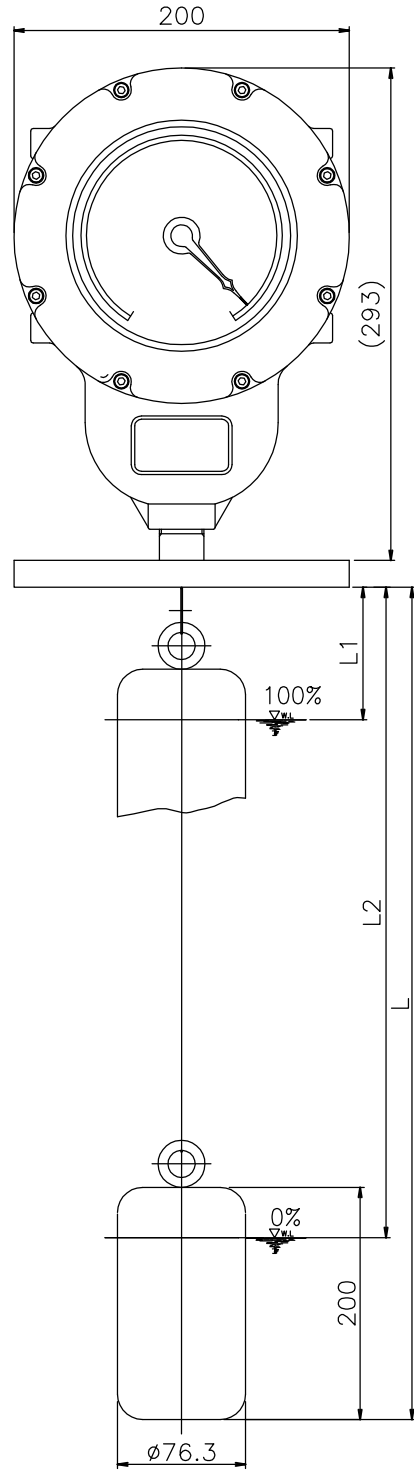


THIS DRAWING IS PROPRIETARY TO DSS  
 NO PART OF THIS DRAWING MAY BE  
 REPRODUCED OR TRANSMITTED IN ANY FORM  
 WITHOUT THE PERMISSION OF DSS  
 02101 동성센서 주식회사



SPECIFICATION	
MODEL NAME	DGL-300S
MEASURING MATERIAL	LIQUID
OUTPUT	4~20mA + DIAL DISPLAY
ACCURACY	±20mm
MEASURING RANGE	MAX. 10m
SPECIFIC GRAVITY	0.8
OPERATING PRESSURE	MAX 0.2Kg.f/cm2
AMBIENT TEMPERATURE	MAX -20~+80°C
BLANKING AREA	100mm
DIMENSION	200(W)x293(H)x202(D)
MOUNTING SIZE	ORDER MADE
FLOAT DIMENSION	φ76.3x200(H)
ENCLOSURE MATERIAL	WEATHER PROOF
	BODY : SMC
	FLANGE : SUS304
	WIRE : SUS316
	FLOAT : SUS304
INPUT POWER	DC15~32V, 2WIRE LOOP
LOOP IMPEDANCE	450 Ohme (DC24V)
CALIBRATION	ZERO & SPAN
REMARKS: MEASURING LENGTH=ORDER SPEC.(L1,L2)	

배부처

NO	DATE	REVISION	APPD BY	INITIAL	RELEASE	K.B.	HAN	TOLERANCES-UNLESS OTHERWISE SPECIFIED						DONG SUNG SENSORS CO.,LTD. TEL:02)2101-0688-9 FAX:02)2101-0687				UNIT	MM, INCH	APPAR.	-			
								OVER SIZE	TURN PNC'G DIST OF HOLE STR.	H.D.G. DIE CSTG. PRON. CSTG. DRAW.	SHMET WELD GAS CTG	CSTG. FORG.	표준	DRWN BY	DSND BY	CHKD BY	APPD BY	SCALE	N/S	TITLE	DGL-300S			
								1 4 ± 0.1 ± 0.2 ± 0.2 ± 0.5	4 16 ± 0.2 ± 0.3 ± 0.5 ± 0.7	16 63 ± 0.3 ± 0.4 ± 0.7 ± 0.9	63 250 ± 0.4 ± 0.6 ± 1.2 ± 1.3	250 500 ± 0.6 ± 0.8 ± 1.5 ± 1.8	500 1000 ± 0.8 ± 1.0 ± 2.0 ± 2.5	1000 2000 ± 1.2 ± 1.5 ± 2.5 ± 3.3	ANGLE	± .25° ± .5° ± 1.0° ± 2.0°	임시	J.H.HAN	K.B.HAN	3RD ANGLE				
													부류	DATE	2017.08.21.	2017.08.21.		REF. NO	DWG. NO			1/1		
																		참고도면	도면번호					