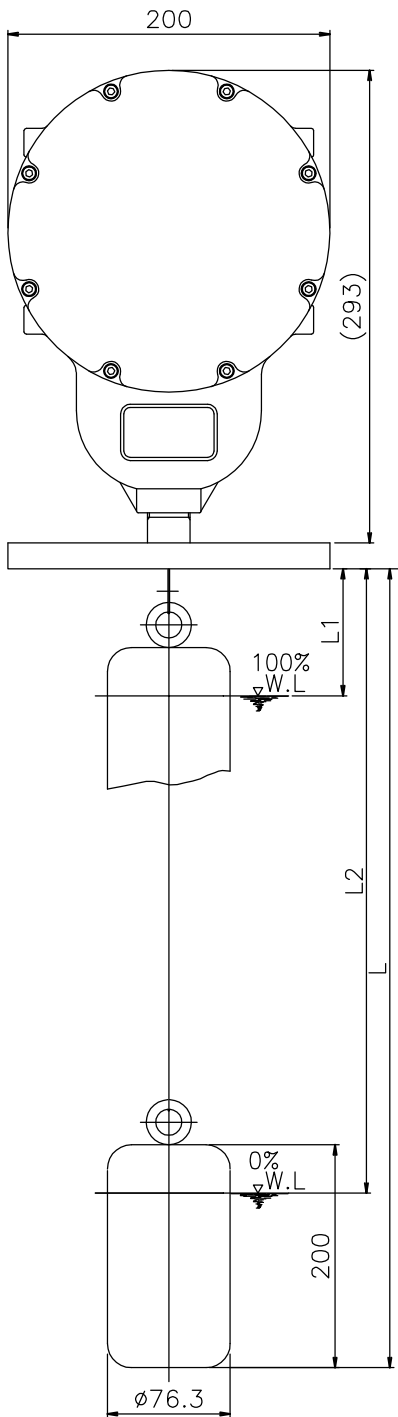


THIS DRAWING IS PROPRIETARY TO DSS
NO PART OF THIS DRAWING MAY BE
REPRODUCED OR TRANSMITTED IN ANY FORM
WITHOUT THE PERMISSION OF DSS
DONG SUNG SENSORS CO., LTD. 東星 传感 株式 會社



SPECIFICATION	
MODEL NAME	DGL-200S
MEASURING MATERIAL	LIQUID
OUTPUT	4~20mA
ACCURACY	±20mm
MEASURING RANGE	MAX. 10m
SPECIFIC GRAVITY	0.8
OPERATING PRESSURE	MAX 0.2Kg.f/cm2
AMBIENT TEMPERATURE	MAX -20~+80°C
BLANKING AREA	100mm
DIMENSION	200(W)x293(H)x202(D)
FLOAT DIMENSION	φ76.3x200(H)
ENCLOSURE	WEATHER PROOF
MATERIAL	BODY : SMC FLANGE : SUS304 WIRE : SUS316 FLOAT : SUS304
INPUT POWER	DC15~32V, 2WIRE LOOP
LOOP IMPEDANCE	450 Ohme (DC24V)
CALIBRATION	ZERO & SPAN
REMARKS:	MEASURING LENGTH=ORDER SPEC.(L1,L2)

배부처

NO	DATE	REVISION	BY	INITIAL	RELEASE	DATE	TOLERANCES-UNLESS OTHERWISE SPECIFIED						DONG SUNG SENSORS CO.,LTD. TEL:(02)2101-0688-9 FAX:(02)2101-0687				UNIT	SCALE	APPAR.	TITLE	1/1
							OVER SIZE	TURN PNC'G DIST OF HOLE STR.	H.D.G. DIE CSTG. PRON. CSTG. DRAW.	SHMET WELD GAS CTG.	CSTG. FORG.	표준	DRWN BY	DSND BY	CHKD BY	APPD BY	MM, INCH	N/S	제 목	DGL-200S	
							1 4 ± 0.1 ± 0.2 ± 0.3 ± 0.5	4 16 ± 0.2 ± 0.3 ± 0.5 ± 0.7	16 63 ± 0.3 ± 0.4 ± 0.7 ± 0.9	63 250 ± 0.4 ± 0.6 ± 1.2 ± 1.3	250 500 ± 0.6 ± 0.8 ± 1.5 ± 1.8	500 1000 ± 0.8 ± 1.0 ± 2.0 ± 2.5	임시	J.H.HAN	K.B.HAN		3RD ANGLE	제 목			
							1000 2000 ± 1.2 ± 1.5 ± 2.5 ± 3.3	ANGLE ± .25° ± .5° ± 1.0° ± 2.0°	부류	DATE	2019.02.26.	2019.02.26.	참고도면	DWG. NO	도면번호						