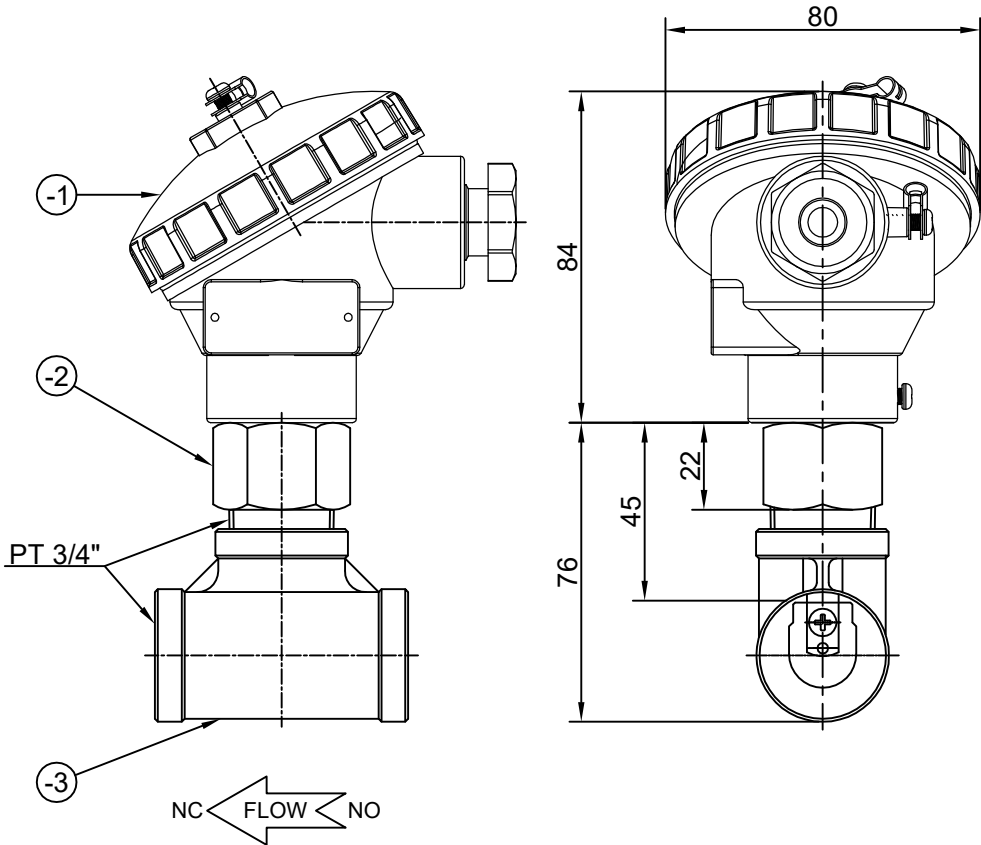


DWG NO  
ON

THIS DRAWING IS PROPRIETARY TO DSS  
NO PART OF THIS DRAWING MAY BE REPRODUCED  
WITHOUT THE PERMISSION OF DSS  
이 기밀물이 복사될 수 없습니다



배부처

-3	TEE	1	SUS304
-2	BODY	1	SUS304
-1	HEAD	1	ADC12
1	DFS-2-3/4SRHT	1SET	-
ITEM NO	PART NAME	QTY	MATERIAL
SPECIFICATION			
MODEL NAME	DFS-2-3/4SRHT		
PRESSURE	MAX.10Kgf/cm <sup>2</sup>		
TEMPERATURE	MAX.100°C		
SWITCHING CURRENT	AC220V, 1A, 50VA		
MOUNTING METHOD	HORIZONTAL, VERTICAL		
MOUNTING SIZE	PT3/4"		
FLOW RATE	25~15#/Min		
APPLICATIONS	WATER, OIL		
REMARKS :			

NO	DATE	2014.01.27	APPD BY K.B.HAN	TOLERANCES-UNLESS OTHERWISE SPECIFIED	DONG SUNG SENSORS CO.,LTD. TEL:(02)2101-0688-9 FAX:(02)2101-0687	UNIT 단위	MM, <del>INCH</del>	APPAR.	-
	REVISION	1				INITIAL RELEASE	01.27	SCALE 척도	N/S
DRN BY	J.S.LIM	DSND BY	K.B.HAN	CHKD BY		3RD ANGLE 3 각 변	REF. NO 참고도면	DWG. NO 도면번호	-
DATE	2013.12.16.	DATE	2014.01.14.	ANGLE	±.25° ±.5° ±1.0° ±2.0°				1/1