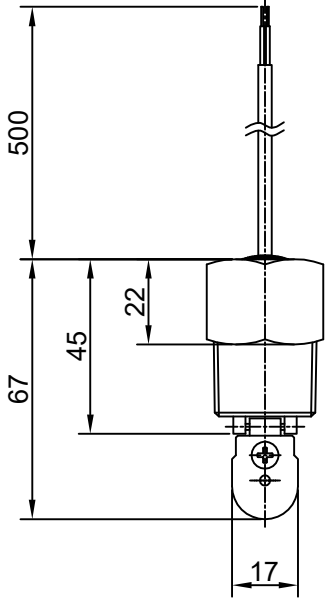
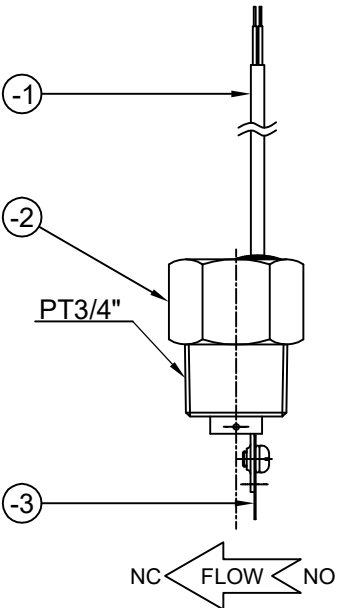
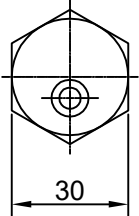


ON 5/20/14



THIS DRAWING IS PROPRIETARY TO DSS
NO PART OF THIS DRAWING MAY BE REPRODUCED
WITHOUT THE PERMISSION OF DSS
본 도면은 DSS사의 소유입니다

배부처

-3	PADDLE	1	SUS304
-2	BODY	1	BRASS
-1	LEAD WIRES	1	P.V.C
1	DFS-2-3/4BR	1SET	-
ITEM NO	PART NAME	QTY	MATERIAL
SPECIFICATION			
MODEL NAME	DFS-2-3/4BR		
PRESSURE	MAX.10Kg/cm ²		
TEMPERATURE	MAX.100°C		
SWITCHING CURRENT	AC220V, 1A, 50VA		
MOUNTING METHOD	HORIZONTAL, VERTICAL		
MOUNTING SIZE	PT3/4"		
FLOW RATE	25~15ℓ/Min		
APPLICATIONS	WATER, OIL		
REMARKS :			

APPD BY K.B.HAN		TOLERANCES UNLESS OTHERWISE SPECIFIED		DONG SUNG SENSORS CO.,LTD TEL:(02)2101-0688~9 FAX:(02)2101-0687		UNIT 단위	MM, INCH	APPAR.	-
REVISION	INITIAL RELEASE	WORK SIZE	TURN PUNCH DIST OF HOLE STR.	MLDG. DIE CSTG. PRCL. CSTG. DRAW.	SM MET WELD GAS CTG.	SCALE	N/S	TITLE	-
NO	DATE	OVER	1 4 ±0.1	±0.2	±0.3	±0.5	3RD ANGLE	제목	DFS-2-3/4BR
	2014.01.27	4 16 ±0.2	±0.3	±0.5	±0.7	3	각		
		16 63 ±0.3	±0.4	±0.7	±0.9				
		63 250 ±0.4	±0.5	±1.2	±1.3				
		250 500 ±0.6	±0.6	±1.5	±1.8				
		500 1000 ±0.8	±1.0	±2.0	±2.5				
		1000 2000 ±1.2	±1.5	±2.5	±3.3				
		ANGLE	±.25°	±.5°	±1.0°	±2.0°			
DATE	2013.12.16.	DRWN BY	J.S.LIM	DSND BY	K.B.HAN	REF. NO	참고도면	DWG. NO	-
DATE	2014.01.14.	CHKD BY		APPD BY					1/1