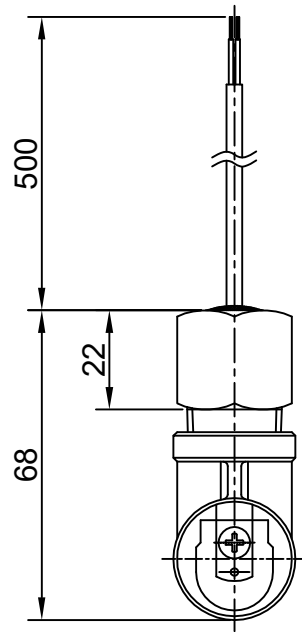
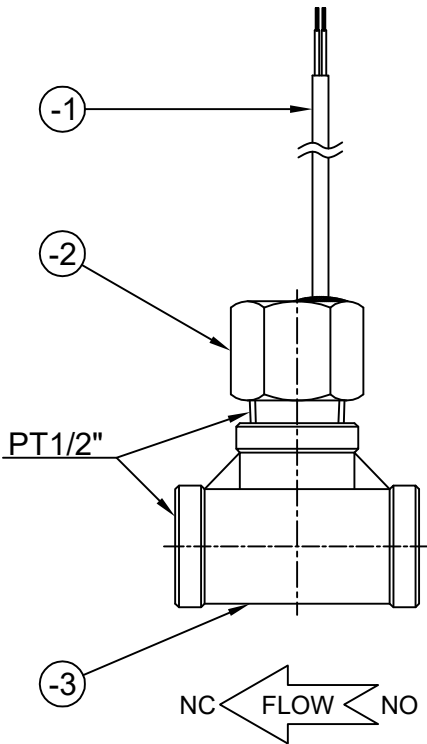
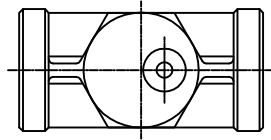


ON G W M
호 박 단

THIS DRAWING IS PROPRIETARY TO DSS
NO PART OF THIS DRAWING MAY BE REPRODUCED
WITHOUT THE PERMISSION OF DSS
상기없이 복사할 수 없음



-3	TEE	1	SUS304
-2	BODY	1	SUS304
-1	LEAD WIRES	1	P.V.C
1	DFS-2-1/2SRT	1SET	-
ITEM NO	PART NAME	Q'TY	MATERIAL
SPECIFICATION			
MODEL NAME		DFS-2-1/2SRT	
PRESSURE		MAX.10Kg _f /cm ²	
TEMPERATURE		MAX.100°C	
SWITCHING CURRENT		AC220V, 1A, 50VA	
MOUNTING METHOD		HORIZONTAL, VERTICAL	
MOUNTING SIZE		PT1/2"	
FLOW RATE		25~15l/Min	
APPLICATIONS		WATER, OIL	
REMARKS :			

배 부 처

APPD BY K.B.HAN		TOLERANCES-UNLESS OTHERWISE SPECIFIED		DONG SUNG SENSORS CO.,LTD. TEL:(02)2101-0688~9 FAX:(02)2101-0687		UNIT 단 위	MM, INCH	APPAR.	-
REVISION		WORK SIZE	TURN FINISH DIST OF HOLE STR.	MILDG DIE CASTG. PRCN. CASTG DRAW.	SH MET WELD GNS CASTG.	SCALE	N/S	TITLE	-
NO	DATE	OVER	±0.1	±0.2	±0.3	3RD ANGLE	3 각	제 목	DFS-2-1/2SRT
1	2014.01.27	4	±0.2	±0.3	±0.5	REF. NO	참 고 도 면	DWG. NO	-
16		16	±0.3	±0.4	±0.7	DATE	2013.12.13.	도면번호	1/1
63		250	±0.4	±0.6	±1.2	DRWN BY	J.S.LIM	DSND BY	K.B.HAN
250		500	±0.6	±0.8	±1.5	CHKD BY		APPD BY	
500		1000	±0.8	±1.0	±2.0	DATE	2014.01.13.		
1000		2000	±1.2	±1.5	±2.5				
ANGLE	± 25°		± 5°	± 1.0	± 2.0°				