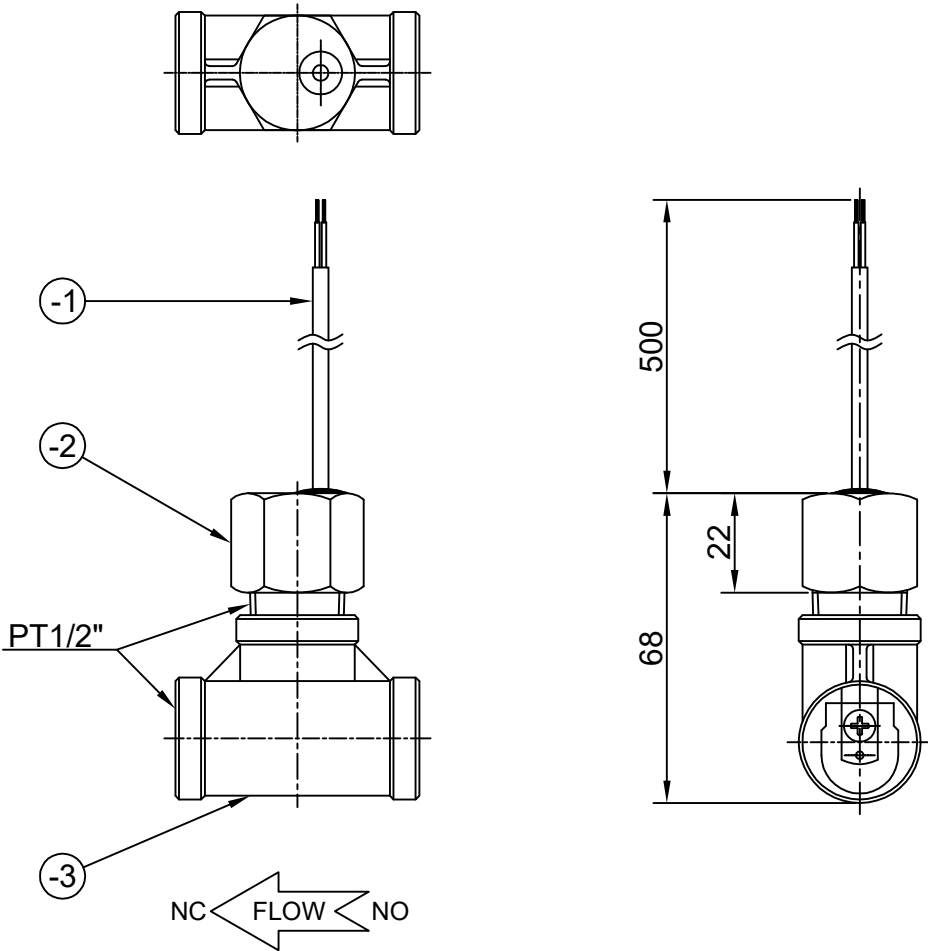


DWG NO. -

THIS DRAWING IS PROPRIETARY TO DSS  
NO PART OF THIS DRAWING MAY BE REPRODUCED  
WITHOUT THE PERMISSION OF DSS  
해기없이 복사할 수 없음



-3	TEE	1	SUS304
-2	BODY	1	BRASS
-1	LEAD WIRES	1	P.V.C
1	DFS-2-1/2BRT	1SET	-
ITEM NO	PART NAME	QTY	MATERIAL
SPECIFICATION			
MODEL NAME		DFS-2-1/2BRT	
PRESSURE		MAX.10kgf/cm <sup>2</sup>	
TEMPERATURE		MAX.100°C	
SWITCHING CURRENT		AC220V, 1A, 50VA	
MOUNTING METHOD		HORIZONTAL, VERTICAL	
MOUNTING SIZE		PT1/2"	
FLOW RATE		25~15l/Min	
APPLICATIONS		WATER, OIL	
REMARKS :			

배부처

APPD BY K.B.HAN		TOLERANCES-UNLESS OTHERWISE SPECIFIED		DONG SUNG SENSORS CO.,LTD. TEL:(02)2101-0688~9 FAX:(02)2101-0687		UNIT MM, INCH	APPAR.	-
REVISION		WORK SIZE	TURN FINISHING DIST OF HOLE STR.	M.D.G. DIE CASTG. PRON. CASTG. DRAW.	SHIMET WELD QMS-CTG.	SCALE N/S	TITLE	-
NO	DATE	OVER	1 4 ±0.1 ±0.2 ±0.3 ±0.5	16 63 ±0.3 ±0.4 ±0.7 ±0.9	63 250 ±0.4 ±0.6 ±1.2 ±1.3	3RD ANGLE 3 각	제 목	DFS-2-1/2BRT
250	500	500	±0.6 ±0.8 ±1.5 ±1.8	1000	2000	REF. NO	DWG. NO	-
ANGLE	±25° ±5° ±1.0° ±2.0°	DATE	2013.12.13.	2014.01.13.	DRWN BY J.S.LIM	DSND BY K.B.HAN	도면번호	1/1