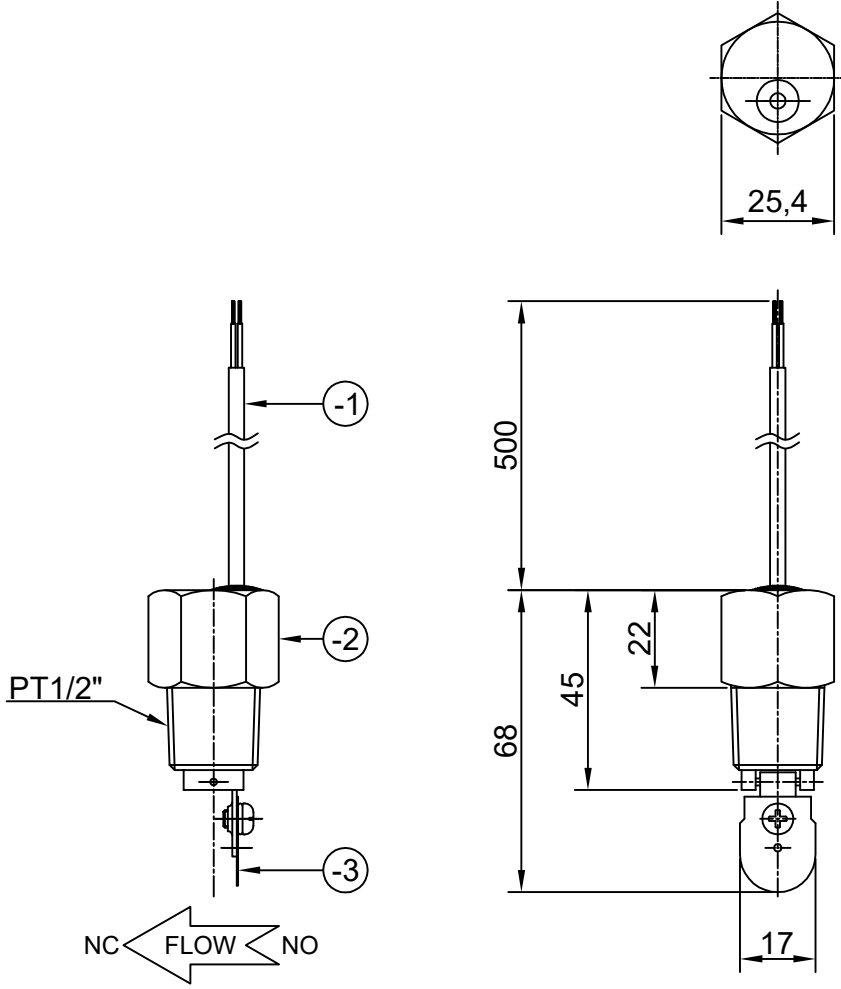


DWG
ON

THIS DRAWING IS PROPRIETARY TO DSS
NO PART OF THIS DRAWING MAY BE REPRODUCED
WITHOUT THE PERMISSION OF DSS
이 도면은 DSS의 재산입니다. 무단으로 복제할 수 없습니다.



-3	PADDLE	1	SUS304
-2	BODY	1	BRASS
-1	LEAD WIRES	1	P.V.C
1	DFS-2-1/2BR	1SET	-
ITEM NO	PART NAME	QTY	MATERIAL
SPECIFICATION			
MODEL NAME	DFS-2-1/2BR		
PRESSURE	MAX.10kgf/cm ²		
TEMPERATURE	MAX.100°C		
SWITCHING CURRENT	AC220V, 1A, 50VA		
MOUNTING METHOD	HORIZONTAL, VERTICAL		
MOUNTING SIZE	PT 1/2"		
FLOW RATE	25~15l/Min		
APPLICATIONS	WATER, OIL		
REMARKS :			

NO	DATE	REVISION	BY	REASON

APPD BY K.B.HAN	TOLERANCES-UNLESS OTHERWISE SPECIFIED				DONG SUNG SENSORS CO.,LTD. TEL:(02)2101-0688-9 FAX:(02)2101-0687	UNIT 단위	MM, INCH	APPAR.	-
REVISION	WORK SIZE	TURN FINISH DIST OF HOLE STR	MILDG. DIE CASTG. FROM CASTG. DRAW.	SH MET WELD GAS CTG.		SCALE	N/S	TITLE	-
2014.01.27	1 4 ±0.1 ±0.2 ±0.3 ±0.5				3RD ANGLE	3 각 법	제 목	DFS-2-1/2BR	
	4 16 ±0.2 ±0.3 ±0.5 ±0.7				REF. NO	참고도면	DWG. NO	-	
	16 63 ±0.3 ±0.4 ±0.7 ±0.9				DATE	2013.12.13.	도면번호	1/1	
	63 250 ±0.4 ±0.6 ±1.2 ±1.3								
	250 500 ±0.6 ±0.8 ±1.5 ±1.8								
	500 1000 ±0.8 ±1.0 ±2.0 ±2.5								
	1000 2000 ±1.2 ±1.5 ±2.5 ±3.3								
	ANGLE ±.25° ±.5° ±1.0° ±2.0°								

표준
인시
포류
DATE 2013.12.13. 2014.01.13.

DRWN BY J.S.LIM
DSND BY 설 계
CHKD BY K.B.HAN
APPD BY 승인