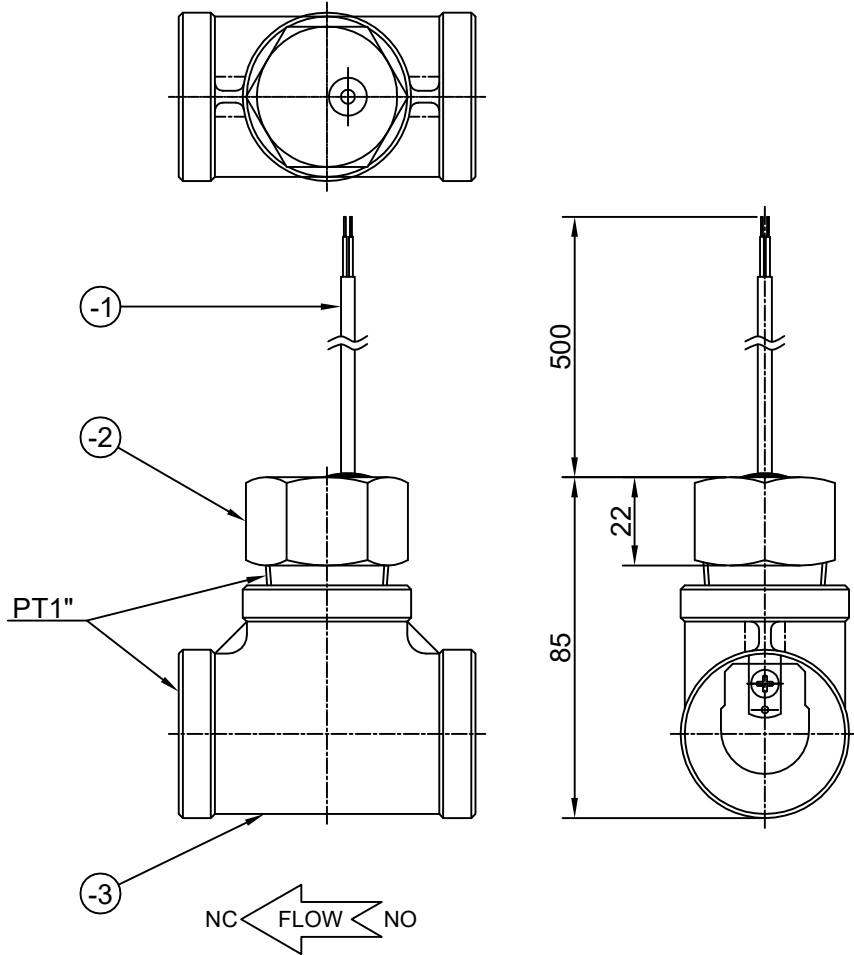


ON D/M/D

THIS DRAWING IS PROPRIETARY TO DSS  
NO PART OF THIS DRAWING MAY BE REPRODUCED  
WITHOUT THE PERMISSION OF DSS  
이 기밀이 복사될 수 없습니다



-3	TEE	1	SUS304
-2	BODY	1	SUS304
-1	LEAD WIRES	1	P.V.C
1	DFS-2-1SRT	1SET	-
ITEM NO	PART NAME	Q'TY	MATERIAL
SPECIFICATION			
MODEL NAME		DFS-2-1SRT	
PRESSURE		MAX.10Kg/cm <sup>2</sup>	
TEMPERATURE		MAX.100°C	
SWITCHING CURRENT		AC220V, 1A, 50VA	
MOUNTING METHOD		HORIZONTAL, VERTICAL	
MOUNTING SIZE		PT1"	
FLOW RATE		25~15l/Min	
APPLICATIONS		WATER, OIL	
REMARKS :			

배부처

NO	DATE	2014.01.27	APPROD BY K.B.HAN	TOLERANCES-UNLESS OTHERWISE SPECIFIED	DONG SUNG SENSORS CO.,LTD. TEL:(02)2101-0688~9 FAX:(02)2101-0687	UNIT	MM, INCH	APPAR.	-
	REVISION	INITIAL RELEASE				SCALE	N/S		
1	4	±0.1	±0.2	±0.3	±0.5	3RD ANGLE 3각	REF. NO	DWG. NO	-
4	16	±0.2	±0.3	±0.5	±0.7				
16	63	±0.3	±0.4	±0.7	±0.9	DATE	2013.12.16.	2014.01.14.	
63	250	±0.4	±0.6	±1.2	±1.3	DATE	2013.12.16.	2014.01.14.	
250	500	±0.6	±0.8	±1.5	±1.8	DATE	2013.12.16.	2014.01.14.	
500	1000	±0.8	±1.0	±2.0	±2.5	DATE	2013.12.16.	2014.01.14.	
1000	2000	±1.2	±1.5	±2.5	±3.3	DATE	2013.12.16.	2014.01.14.	
ANGLE	±.25°	±.5°	±1.0°	±2.0°					