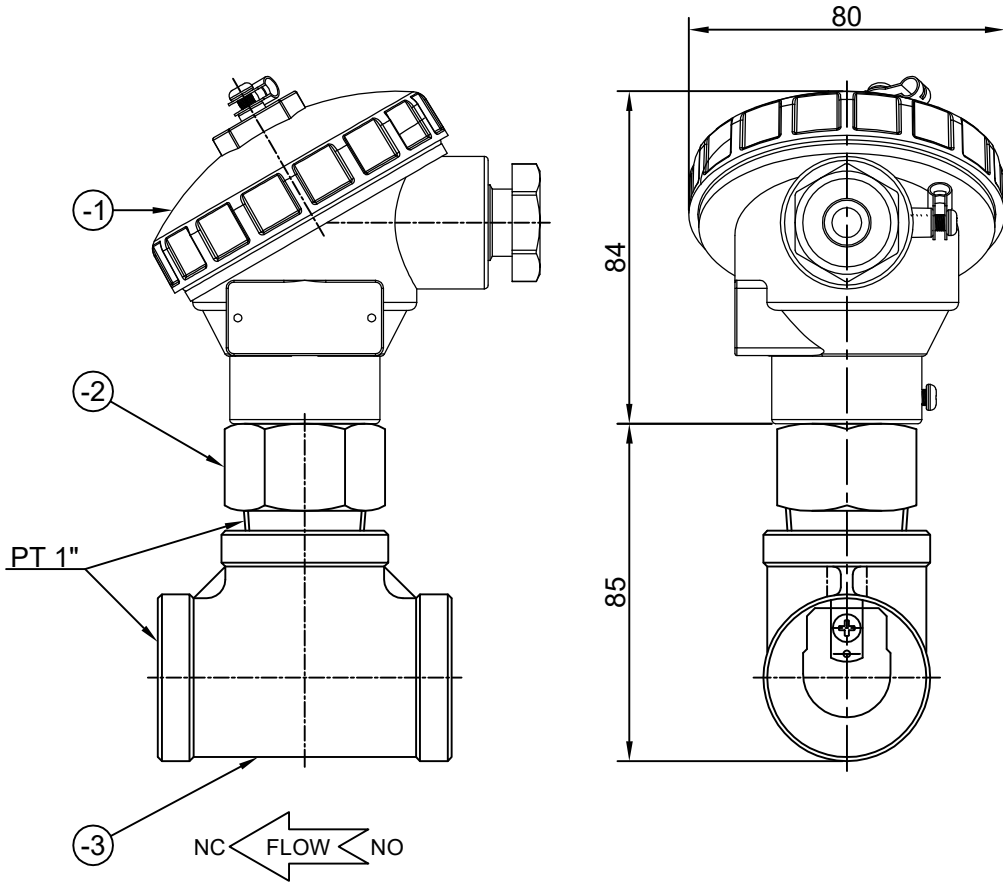


DWG NO  
ON

THIS DRAWING IS PROPRIETARY TO DSS  
NO PART OF THIS DRAWING MAY BE REPRODUCED  
WITHOUT THE PERMISSION OF DSS  
이 기밀로 간주될 수 있음



배부처

-3	TEE	1	SUS304
-2	BODY	1	SUS304
-1	HEAD	1	ADC12
1	DFS-2-1SRHT	1SET	-
ITEM NO	PART NAME	QTY	MATERIAL
SPECIFICATION			
MODEL NAME		DFS-2-1SRHT	
PRESSURE		MAX.10Kgf/cm <sup>2</sup>	
TEMPERATURE		MAX.100°C	
SWITCHING CURRENT		AC220V, 1A, 50VA	
MOUNTING METHOD		HORIZONTAL, VERTICAL	
MOUNTING SIZE		PT1"	
FLOW RATE		25~15ℓ/Min	
APPLICATIONS		WATER, OIL	

REMARKS :

NO	DATE	2014.01.27	TOLERANCES-UNLESS OTHERWISE SPECIFIED				<b>DONG SUNG SENSORS CO.,LTD</b> TEL:(02)2101-0688-9 FAX:(02)2101-0687	UNIT	MM, <del>INCH</del>	APPAR.	-
	REVISION	INITIAL RELEASE	WORK SIZE	TURN FINISHG DIST OF HOLE STR.	MILDG. DIE CSTG. FROM. CSTG. DRAW.	SH MET WELD GAS CTG.		CSTG. FORG.	SCALE	N/S	TITLE
APPD BY	BY	K.B.HAN	1	4	±0.1	±0.2	±0.3	±0.5	3RD ANGLE	제 목	DFS-2-1SRHT
REVISION	INITIAL RELEASE	01.27	4	16	±0.2	±0.3	±0.5	±0.7	각 법		
REVISION	INITIAL RELEASE		16	83	±0.3	±0.4	±0.7	±0.9	REF. NO	DWG. NO	-
REVISION	INITIAL RELEASE		63	250	±0.4	±0.4	±1.2	±1.3	참고도면	도면번호	1/1
REVISION	INITIAL RELEASE		250	500	±0.6	±0.8	±1.5	±1.8			
REVISION	INITIAL RELEASE		500	1000	±0.8	±1.0	±2.0	±2.5			
REVISION	INITIAL RELEASE		1000	2000	±1.2	±1.5	±2.5	±3.3			
REVISION	INITIAL RELEASE		ANGLE	±.25°	±.5°	±1.0°	±2.0°				
DRWN BY	DSND BY	CHKD BY	APPD BY	DRWN BY J.S.LIM DSND BY K.B.HAN CHKD BY APPD BY		DATE	2013.12.16.	2014.01.14.			