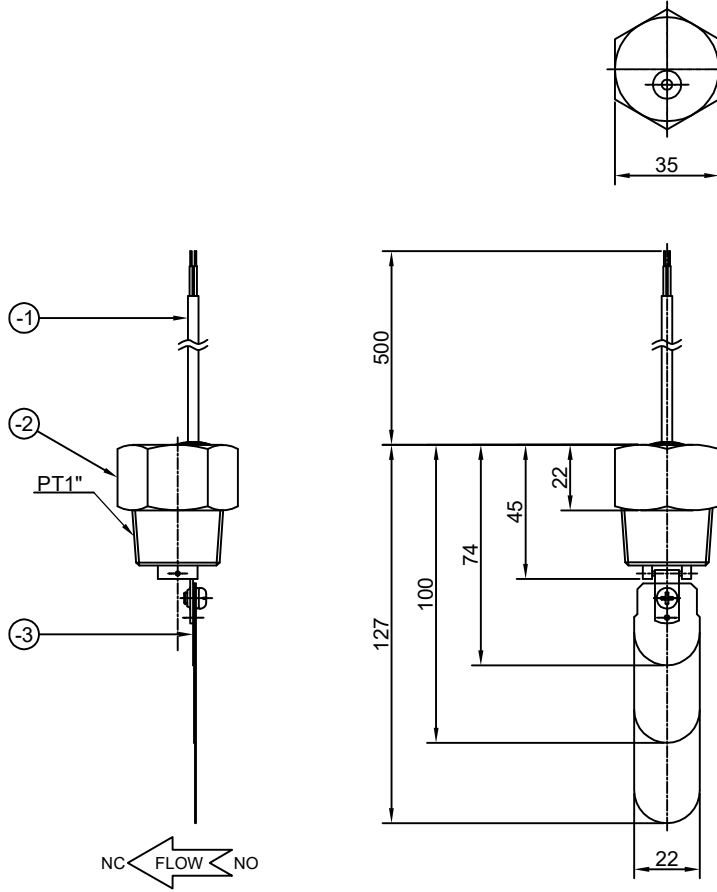


ON G W N
 -

THIS DRAWING IS PROPRIETARY TO DSS
 NO PART OF THIS DRAWING MAY BE REPRODUCED
 WITHOUT THE PERMISSION OF DSS
 87.71.2011 복사할 수 없음



-3	PADDLE	3	SUS304
-2	BODY	1	SUS304
-1	LEAD WIRES	1	P.V.C
1	DFS-2-1SR	1SET	-
ITEM NO	PART NAME	Q'TY	MATERIAL
SPECIFICATION			
MODEL NAME		DFS-2-1SR	
PRESSURE		MAX.10Kgf/cm ²	
TEMPERATURE		MAX.100°C	
SWITCHING CURRENT		AC220V, 1A, 50VA	
MOUNTING METHOD		HORIZONTAL, VERTICAL	
MOUNTING SIZE		PT1"	
FLOW RATE		25~15ℓ/Min	
APPLICATIONS		WATER, OIL	
REMARKS :			

배부처

NO	DATE	REVISION	APPD BY K.B. HAN	TOLERANCES-UNLESS OTHERWISE SPECIFIED					DONG SUNG SENSORS CO.,LTD. TEL:(02)2101-0688-9 FAX:(02)2101-0687	UNIT 단위 MM, INCH	APPAR.	TITLE 제목	DWG. NO 도면번호	1/1
				WORK SIZE	TURN PRICKING DIST. OF HOLE STR.	MILDG. DIE CSTG. PRCN. DRAW.	SHMET WELD GAS CTG.	CSTG. FORG.						
1	4	01.27		±0.1	±0.2	±0.3	±0.5	3RD ANGLE 3각법		DFS-2-1SR				
4	16			±0.2	±0.3	±0.5	±0.7	REF. NO 참고도면						
16	63			±0.3	±0.4	±0.7	±0.9	DATE	2013.12.16.	2014.01.14.				
63	250			±0.4	±0.5	±1.2	±1.3							
250	500			±0.6	±0.8	±1.5	±1.8							
500	1000			±0.8	±1.0	±2.0	±2.5							
1000	2000			±1.2	±1.5	±2.5	±3.3							
ANGLE				±.25°	±.5°	±1.0°	±2.0°							