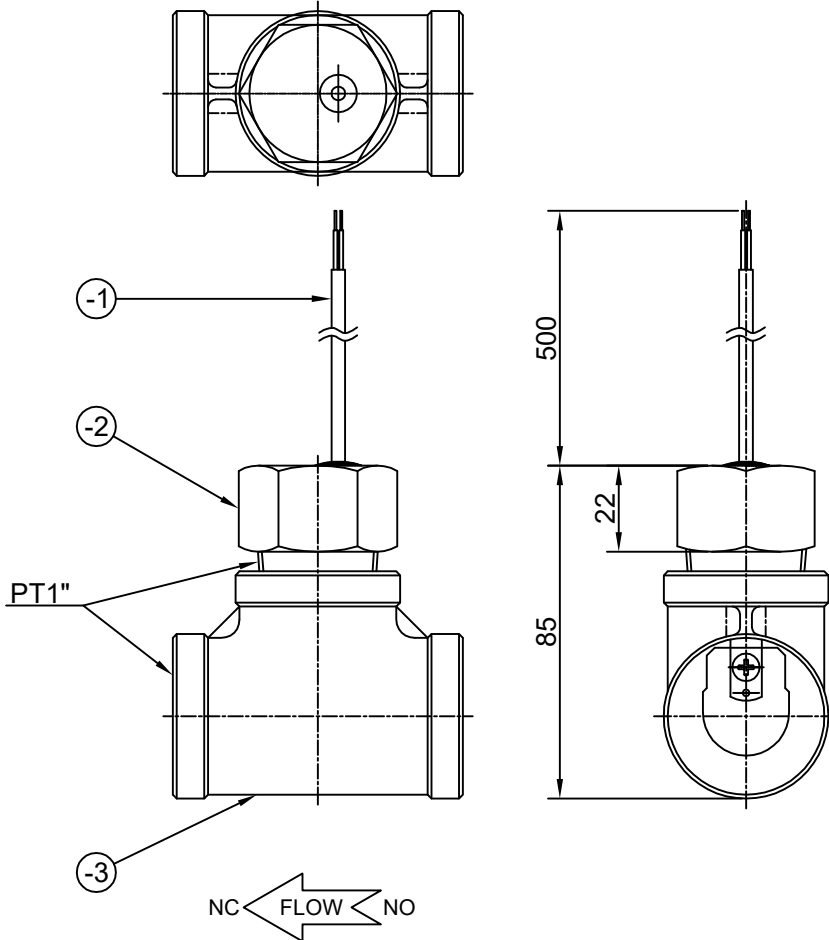


ON SWM

THIS DRAWING IS PROPRIETARY TO DSS
NO PART OF THIS DRAWING MAY BE REPRODUCED
WITHOUT THE PERMISSION OF DSS
본 도면의 무단 복제 및 배포는 금지됩니다



-3	TEE	1	SUS304
-2	BODY	1	BRASS
-1	LEAD WIRES	1	P.V.C
1	DFS-2-1BRT	1SET	-
ITEM NO	PART NAME	QTY	MATERIAL
SPECIFICATION			
MODEL NAME	DFS-2-1BRT		
PRESSURE	MAX.10Kgf/cm ²		
TEMPERATURE	MAX.100°C		
SWITCHING CURRENT	AC220V, 1A, 50VA		
MOUNTING METHOD	HORIZONTAL, VERTICAL		
MOUNTING SIZE	PT1"		
FLOW RATE	25~15ℓ/Min		
APPLICATIONS	WATER, OIL		
REMARKS :			

배부처

NO	DATE	REVISION	BY	APPD	TOLERANCES-UNLESS OTHERWISE SPECIFIED					DONG SUNG SENSORS CO.,LTD. TEL:(02)2101-0688~9 FAX:(02)2101-0687	UNIT 단위 MM, INCH	APPAR.	TITLE 제목	DWG. NO 도면번호	1/1
					WORK SIZE	TURN FINISH DIST OF HOLE STR	MLDG. DIE CASTG. IRON, STG. DRAW.	SHMET WELD GAS CTG.	CSTG. FORG.						
1	2014.01.27	1	K.B.HAN		±0.1	±0.2	±0.3	±0.5		표준	J.S.LIM	K.B.HAN			
4		16			±0.2	±0.3	±0.5	±0.7		임시					
16		63			±0.3	±0.4	±0.7	±0.9		보류					
63		250			±0.4	±0.6	±1.2	±1.3							
250		500			±0.6	±0.8	±1.5	±1.8							
500		1000			±0.8	±1.0	±2.0	±2.5							
1000		2000			±1.2	±1.5	±2.5	±3.3							
		ANGLE			±25°	±5°	±1.0	±2.0°							
DATE	2013.12.16.		2014.01.14.												