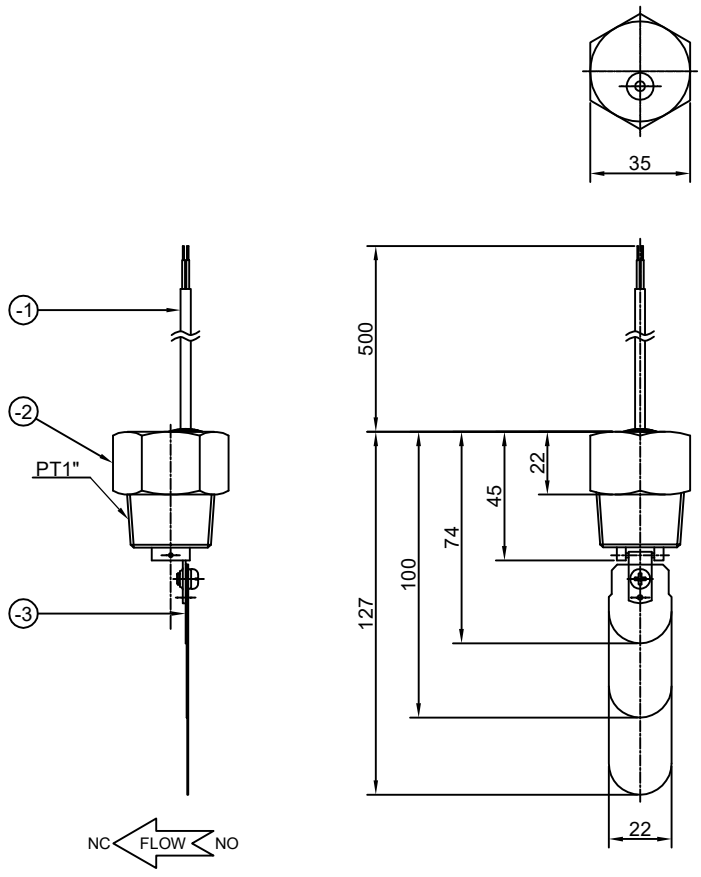


ON SMD

THIS DRAWING IS PROPRIETARY TO DSS
REPRODUCING OR TRANSMITTING IN ANY FORM OR BY ANY MEANS WITHOUT THE PERMISSION OF DSS
본 도면은 DSS의 영업비밀로 취급되며 무단으로 복제, 배포, 전수할 수 없습니다.



배부처	

-3	PADDLE	3	SUS304
-2	BODY	1	BRASS
-1	LEAD WIRES	1	P.V.C
1	DFS-2-1BR	1SET	-
ITEM NO.	PART NAME	Q'TY	MATERIAL
SPECIFICATION			
MODEL NAME		DFS-2-1BR	
PRESSURE		MAX.10Kg/cm ²	
TEMPERATURE		MAX.100°C	
SWITCHING CURRENT		AC220V, 1A, 50VA	
MOUNTING METHOD		HORIZONTAL, VERTICAL	
MOUNTING SIZE		PT1"	
FLOW RATE		25-15#/Min	
APPLICATIONS		WATER, OIL	
REMARKS :			

TOLERANCES-UNLESS OTHERWISE SPECIFIED		DONG SUNG SENSORS CO.,LTD TEL:(02)2101-0688-9 FAX:(02)2101-0687		UNIT 단위	MM, INCH	APPAR.	-		
NO	DATE	REVISION	INITIAL RELEASE	WORK SIZE	TURN FNCHGS DIT OF HOLE STR.	MLDG. DIE CSTG. FRON. CSTG. DRAW.	SI MET WELD GAS CTG.	CSTG. FORG.	
1	2014.01.27			OVER NO INCL.	±0.1	±0.2	±0.3	±0.5	
4				16	±0.3	±0.3	±0.5	±0.7	
16				63	±0.3	±0.4	±0.7	±0.9	
63				250	±0.4	±0.5	±1.2	±1.3	
250				500	±0.6	±0.8	±1.5	±1.8	
500				1000	±0.8	±1.0	±2.0	±2.5	
1000				2000	±1.1	±1.5	±2.5	±3.3	
ANGLE				±25°	±5°	±1.0°	±2.0°		
DATE	2013.12.16.	2014.01.14.		DRWN BY 제도	DSND BY 설계	CHKD BY 검토	APPD BY 승인	J.S.LIM	K.B.HAN
REF. NO	참고도면			3RD ANGLE 3각법					
DWG. NO	-								1/1
TITLE	제목							DFS-2-1BR	