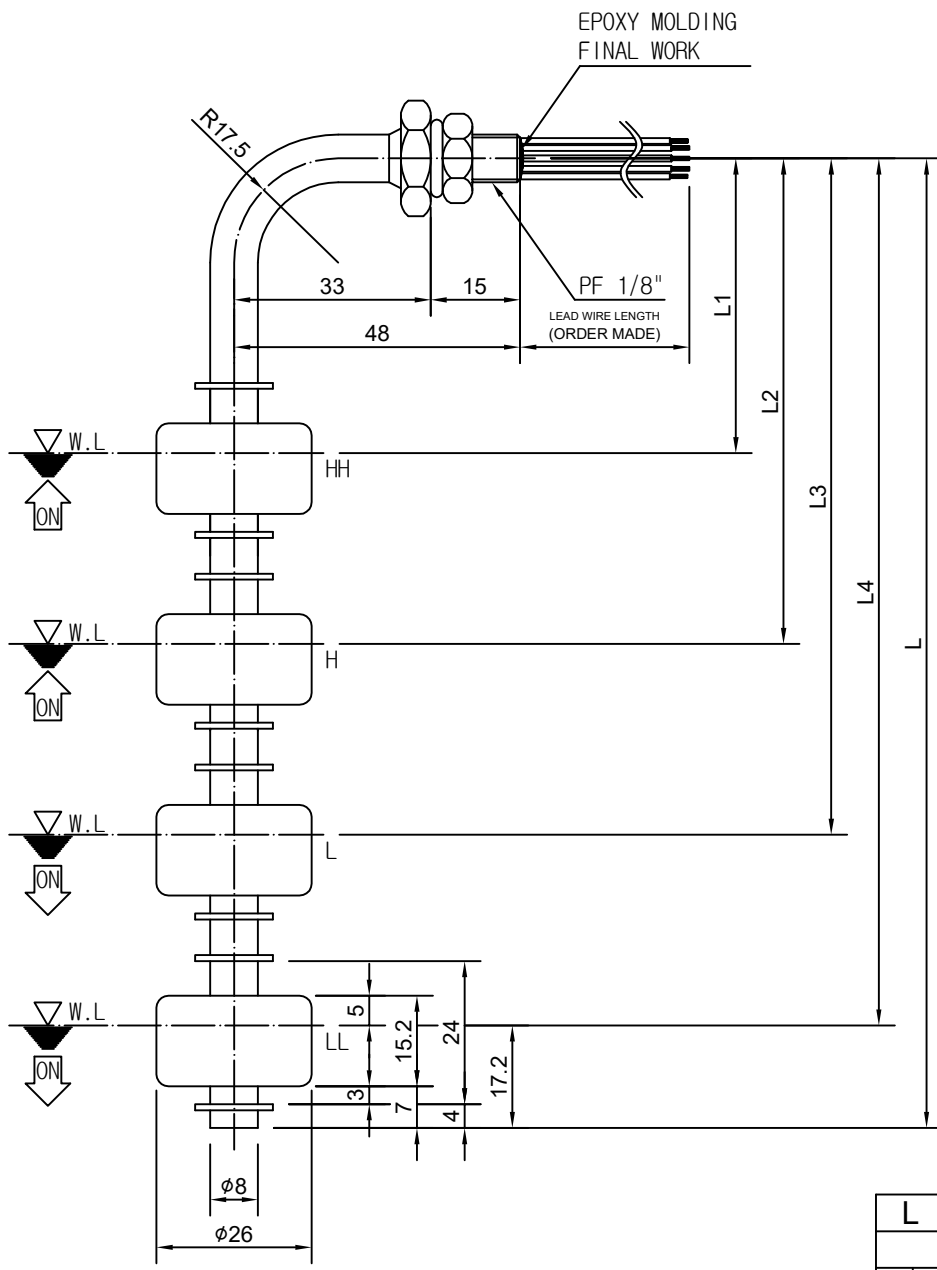


DWG NO. 01.27



(UNIT:mm)

L	L1	L2	L3	L4
-5	E-RING	8	SUS304	
-4	FLOAT	4	N.B.R	
-3	STEM	1	SUS304	
-2	NUT	1	SUS304	
-1	LEAD WIRES	5	P.V.C	
1	DFR-3L-4F	1	-	
ITEM NO	PART NAME	Q'TY	MATERIAL	
SPECIFICATION				
MODEL NAME		DFR-3L-4F		
PRESSURE		MAX.10Kgf/cm ²		
TEMPERATURE		MAX.90°C		
APPLICATIONS		WATER, OIL		
SWITCHING CURRENT		AC220V,0.2A,50VA		
MOUNTING METHOD		SIDE		
MOUNTING SIZE		PF1/8"		
REMARKS :				
(L1,L2,L3,L4, L=L4+17.2) ORDER MADE				

THIS DRAWING IS PROPRIETARY TO DSS
NO PART OF THIS DRAWING MAY BE REPRODUCED
WITHOUT THE PERMISSION OF DSS
허가없이 복사할 수 없음

배부처					

NO	DATE	REVISION	INITIAL RELEASE	BY	APPD BY
1	2014.01.27			K.B.HAN	
2					
3					
4					
5					
6					
7					
8					
9					
10					
11					
12					
13					
14					
15					
16					
17					
18					
19					
20					

DONG SUNG SENSORS CO.,LTD. TEL:(02)2101-0688~9 FAX:(02)2101-0687			
표준	DRWN BY J.H.HAN	DSND BY K.B.HAN	CHKD BY K.B.HAN
임시	DATE 2017.04.27.	DATE 2017.04.27.	DATE 2017.04.27.

UNIT 단위	MM, INCH	APPAR.	-
SCALE 척도	N/S	TITLE 제목	DFR-3L-4F
3RD ANGLE 각 방법	REF. NO 참고도면	DWG. NO 도면번호	-

NO	DATE	REVISION	INITIAL RELEASE	BY	APPD BY
1	2014.01.27			K.B.HAN	
2					
3					
4					
5					
6					
7					
8					
9					
10					
11					
12					
13					
14					
15					
16					
17					
18					
19					
20					