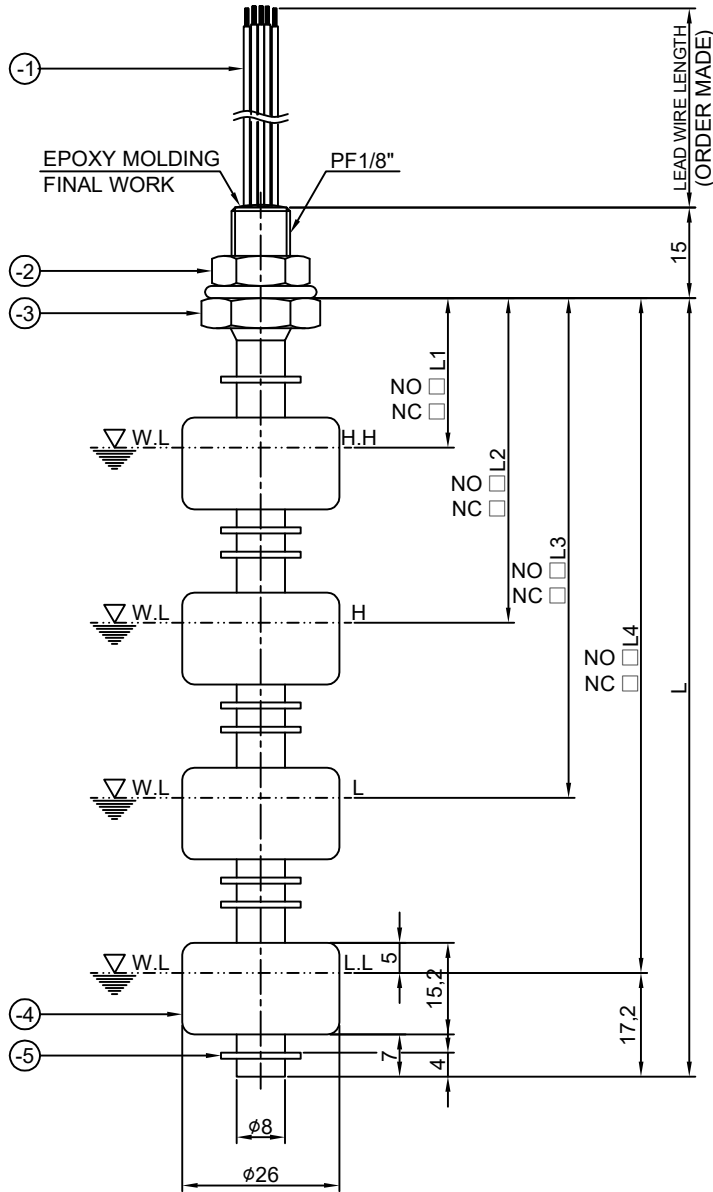


THIS DRAWING IS PROPRIETARY TO DSS
NO PART OF THIS DRAWING MAY BE REPRODUCED
WITHOUT THE PERMISSION OF DSS
형기없이 복사할 수 없음



(UNIT:mm)

	L	L1	L2	L3	L4
-5					
-4					
-3					
-2					
-1					
1					
ITEM NO	PART NAME		Q'TY	MATERIAL	

SPECIFICATION

MODEL NAME	DFR-2S-4F
PRESSURE	MAX.10Kgf/cm ²
TEMPERATURE	MAX.90°C
APPLICATIONS	WATER, OIL
SWITCHING CURRENT	AC220V,0.2A,50VA
MOUNTING METHOD	TOP & BOTTOM
MOUNTING SIZE	PF1/8"

REMARKS :
ORDER MADE (L1, L2,L3, L4, L=L4+17.2)

배부처

NO	DATE	2017.04.27.	DATE	2017.04.27.	REF. NO 참고도면	DWG. NO 도면번호	1/1
	REVISION	1	DRWN BY	J.H.HAN			
APPD BY	K.B.HAN	INITIAL RELEASE	01.27	CHKD BY	K.B.HAN	APPD BY	승인
TOLERANCES-UNLESS OTHERWISE SPECIFIED				DONG SUNG SENSORS CO.,LTD. TEL:(02)2101-0688~9 FAX:(02)2101-0687		UNIT	MM, INCH
WORK SIZE	TURN FINISHG DIST. OF HOLE STR.	MLDG. DIE CSTG. PRCN. CSTG. DRAW.	SH.MET WELD GAB. CTG.	CSTG. FORG.	SCALE	3RD ANGLE 각 방법	
1 4	±0.1	±0.2	±0.3	±0.5	MM	N/S	
4 16	±0.2	±0.3	±0.5	±0.7	INCH	S	
16 63	±0.3	±0.4	±0.7	±0.9			
63 250	±0.4	±0.5	±1.2	±1.3			
250 500	±0.6	±0.8	±1.5	±1.8			
500 1000	±0.8	±1.0	±2.0	±2.5			
1000 2000	±1.2	±1.5	±2.5	±3.3			
ANGLE	±.25°	±.5°	±1.0°	±2.0°			