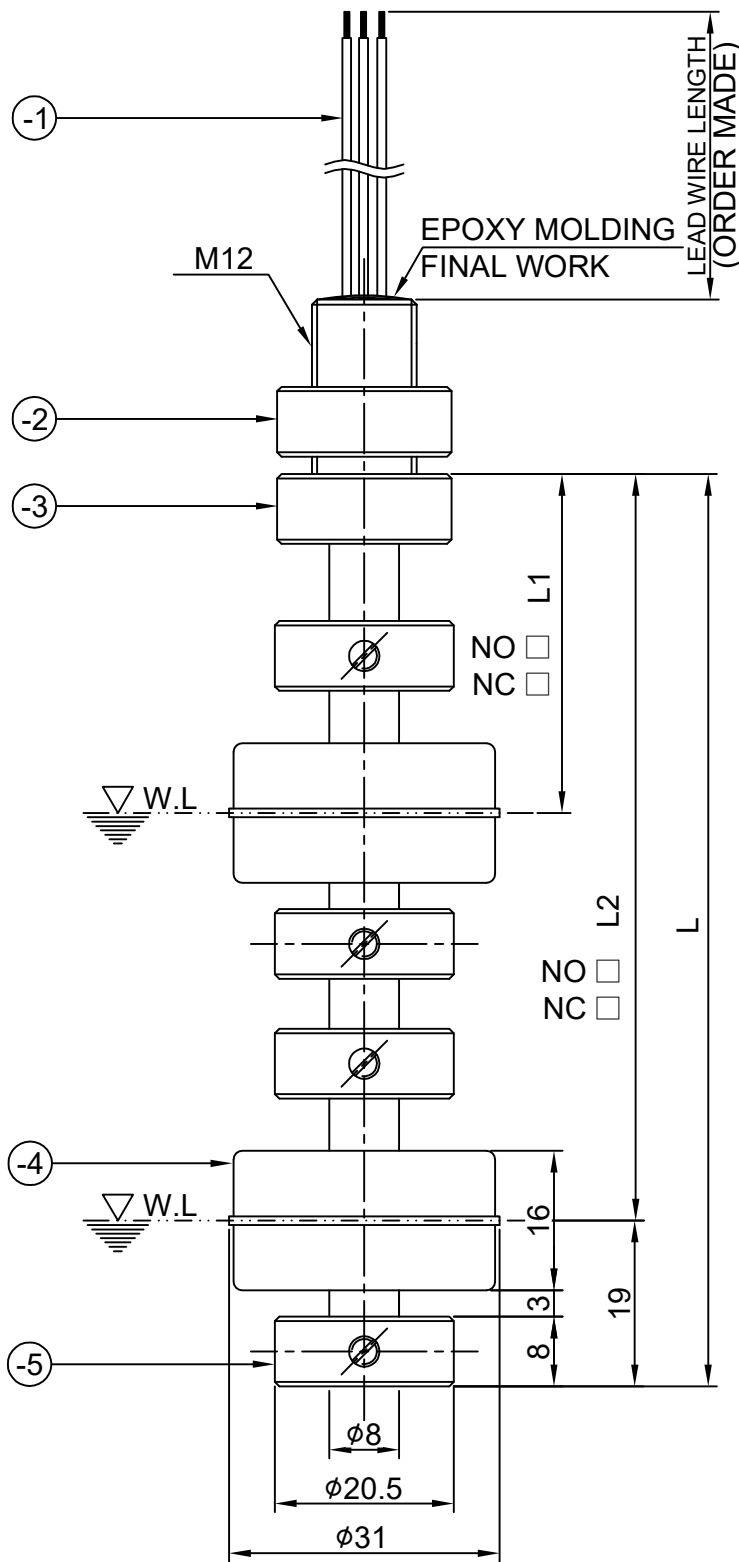


ON GMD

THIS DRAWING IS PROPRIETARY TO DSS
NO PART OF THIS DRAWING MAY BE REPRODUCED
WITHOUT THE PERMISSION OF DSS
해기없이 복사할 수 없음



(UNIT:mm)

L	L1	L2	-	-
-5	STOPPER	4	P.P	
-4	FLOAT	2	P.P	
-3	STEM	1	P.V.C	
-2	NUT	1	P.V.C	
-1	LEAD WIRES	3	P.V.C	
1	DFR-13P-2F	1	-	

ITEM NO	PART NAME	QTY	MATERIAL
SPECIFICATION			
MODEL NAME	DFR-13P-2F		
PRESSURE	MAX.2Kgf/cm ²		
TEMPERATURE	MAX.80°C		
APPLICATIONS	WATER, MEDICAL LIQUID		
SWITCHING CURRENT	AC220V, 0.2A, 50VA		
MOUNTING METHOD	TOP & BOTTOM		
MOUNTING SIZE	M12		

REMARKS :
ORDER MADE(L1, L2, L=L2+19)

배부처

NO	DATE	REVISION	APPD BY	K.B. HAN	INITIAL RELEASE	01.27
1	2014.01.27	4				
2		16				
3		63				
4		250				
5		500				
6		1000				
7		2000				

TOLERANCES-UNLESS OTHERWISE SPECIFIED						
WORK SIZE	TURN FINISHING DIST. OF HOLE STR.	M.L.D.G. DIE CASTING PREL. CASTG. DRAW.	SHI MET WELD GAS CTG.	CASTG. FORGE		
1	4	±0.1	±0.2	±0.3	±0.5	
4	16	±0.2	±0.3	±0.5	±0.7	
16	63	±0.3	±0.4	±0.7	±0.9	
63	250	±0.4	±0.6	±1.2	±1.3	
250	500	±0.6	±0.8	±1.5	±1.8	
500	1000	±0.8	±1.0	±2.0	±2.5	
1000	2000	±1.2	±1.5	±2.5	±3.3	
ANGLE		±.25°	±.5°	±1.0	±2.0°	

DONG SUNG SENSORS CO.,LTD. TEL:(02)2101-0688~9 FAX:(02)2101-0687				UNIT 단위	MM, NCH	APPAR.	-
표준	DRWN BY 제도	DSND BY 설계	CHKD BY 검토	APPD BY 승인	SCALE 척도	TITLE 제목	DFR-13P-2F
임시	J.H.HAN	K.B.HAN			3RD ANGLE 3 각 법	REF. NO 참고도면	DWG. NO 도면번호
보류	DATE	2017.04.18.	2017.04.19.				

REF. NO	DWG. NO	1/1
---------	---------	-----