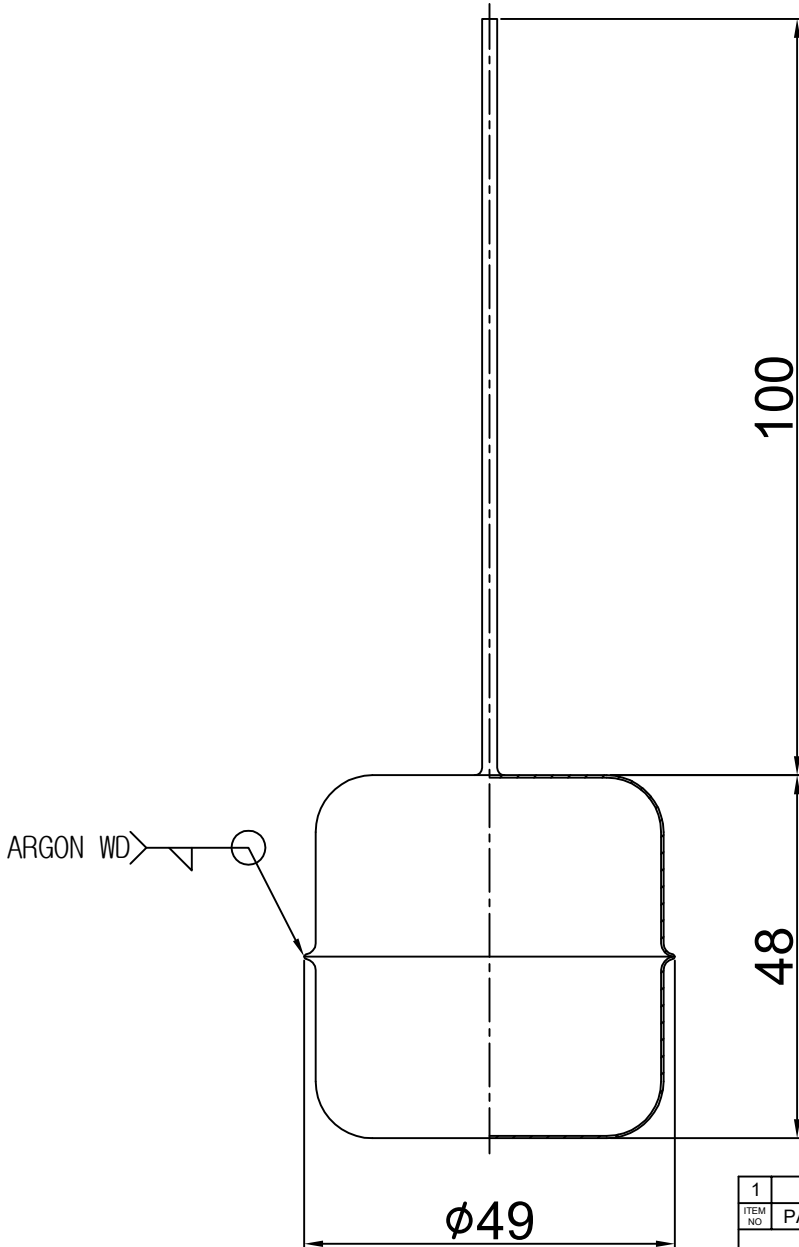


중대기술
ON SMD

THIS DRAWING IS PROPRIETARY TO DSS
NO PART OF THIS DRAWING MAY BE REPRODUCED
WITHOUT THE PERMISSION OF DSS
당기기술은 회사물 수 보호



배부처

1	DF-S42	1	SUS304
ITEM NO	PART NAME	QTY	MATERIAL
SPECIFICATION			
MODEL NAME		DF-S42	
PRESSURE		MAX.10Kgf/cm ²	
TEMPERATURE		MAX.200°C	
DIMENSION		φ49x48x100L	
WEIGHT		15g	
SPECIFIC GRAVITY		0.47	
REMARKS :			

APPD BY K.B. HAN		DONG SUNG SENSORS CO.,LTD. TEL:(02)2101-0688~9 FAX:(02)2101-0687		UNIT 단위	MM, INCH	APPAR.	-
REVISION		TOLERANCES-UNLESS OTHERWISE SPECIFIED		SCALE	N/S	TITLE	DF-S42
INITIAL RELEASE 01.27		WORK SIZE		3RD ANGLE 3 각 법		제목	
DATE		2014.01.27		REF. NO		DWG. NO	
2014.01.27		2014.08.21.		참고도면		도면번호	1/1
2014.08.21.		2014.08.21.					