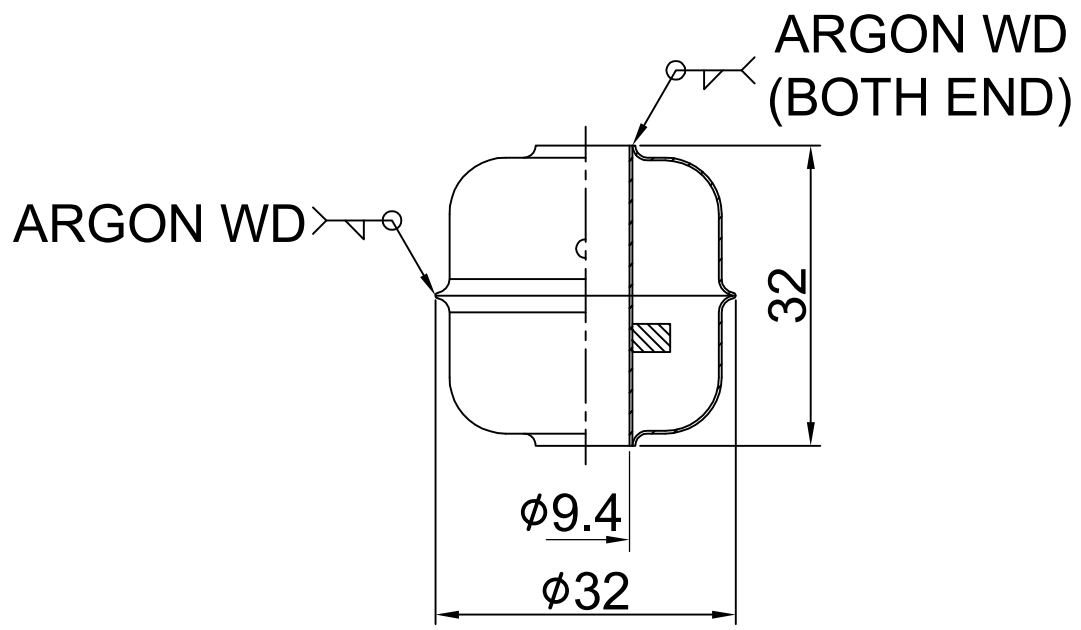
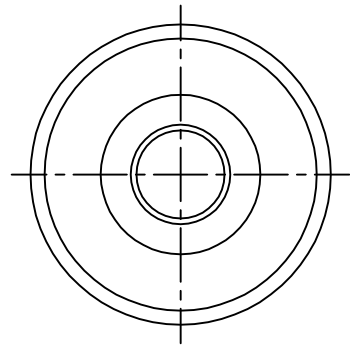


ON D/W/D

THIS DRAWING IS PROPRIETARY TO DSS
NO PART OF THIS DRAWING MAY BE REPRODUCED
WITHOUT THE PERMISSION OF DSS
해당본이 복사할 수 없음



1	DF-S41	1	SUS304
ITEM NO	PART NAME	Q'TY	MATERIAL
SPECIFICATION			
MODEL NAME		DF-S41	
PRESSURE		MAX.10Kgf/cm ²	
TEMPERATURE		일반용 MAX.100°C	고온용 MAX.160°C
DIMENSION		φ32xφ9.4x32	
WEIGHT		9g	
SPECIFIC GRAVITY		0.47	
REMARKS :			

배부처	

TOLERANCES-UNLESS OTHERWISE SPECIFIED WORK: ±0.1, ±0.2, ±0.3, ±0.5 TURN PNCNG: ±0.2, ±0.3, ±0.5, ±0.7 DIE CSTG: ±0.3, ±0.4, ±0.7, ±0.9 MLDG: ±0.4, ±0.6, ±1.2, ±1.3 SH MET: ±0.6, ±0.8, ±1.5, ±1.8 WELD: ±0.8, ±1.0, ±2.0, ±2.5 GAS CTG: ±1.2, ±1.5, ±2.5, ±3.3 CSTG: ±1.5, ±2.0, ±2.5, ±3.3 FORG: ±1.0, ±1.0, ±1.0, ±2.0		DONG SUNG SENSORS CO.,LTD. TEL:(02)2101-0688-9 FAX:(02)2101-0687		UNIT	MM, INCH	APPAR.	-
NO	DATE	REVISION	BY	DRWN BY	DSND BY	CHKD BY	APPD BY
1	2014.01.27		K.B.HAN	J.H.HAN	K.B.HAN	K.B.HAN	K.B.HAN
INITIAL RELEASE 2014.01.27				SCALE N/S		TITLE DF-S41	
REF. NO 참고도면				DWG. NO 도면번호		1/1	