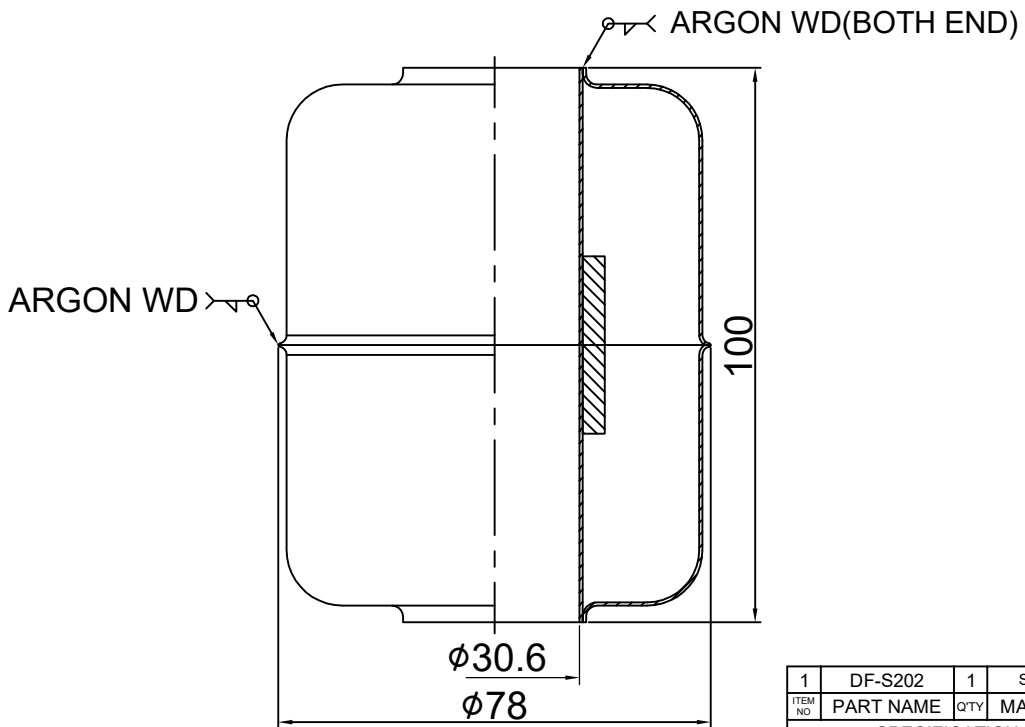
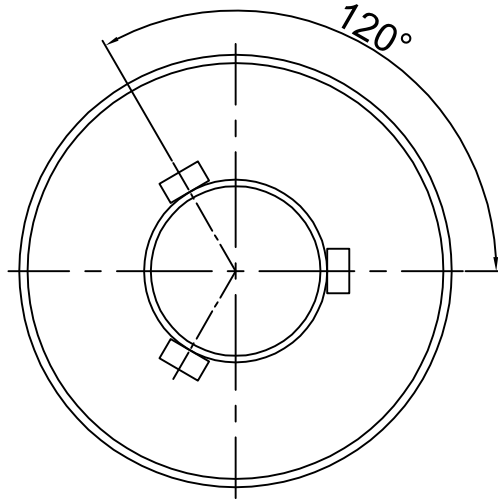


ON SMD

THIS DRAWING IS PROPRIETARY TO DSS
NO PART OF THIS DRAWING MAY BE REPRODUCED
WITHOUT THE PERMISSION OF DSS
이 기 도 면 이 독 자 의 권 리 를 수 없 습 니 다



배 부 처

1	DF-S202	1	SUS304
ITEM NO	PART NAME	QTY	MATERIAL
SPECIFICATION			
MODEL NAME		DF-S202	
PRESSURE		MAX.5Kgf/cm ²	
TEMPERATURE		MAX.120°C	
DIMENSION		φ78xφ30.6x100	
WEIGHT		188g	
SPECIFIC GRAVITY		0.55	
REMARKS :			

NO	DATE	REVISION	APPD BY	BY	DATE	INITIAL RELEASE	WORK SIZE	TURN PRING DIST OF HOLE STR.	MILDG DIE CSTG PRON. CSTG DRAW.	SHMET WELD GAS CTG.	CSTG FORG.	☑ DONG SUNG SENSORS CO.,LTD. TEL:(02)2101-0688-9 FAX:(02)2101-0687		UNIT 단 위	MM, INCH	APPAR.	-
1	2014.01.27		K.B.HAN				4	±0.1	±0.2	±0.3	±0.5	DRWN BY 제 도		SCALE 척 도	N/S	TITLE 제목	DF-S202
4	16						4	±0.2	±0.3	±0.5	±0.7	CHKD BY 검 토		3RD ANGLE 3 각 법			
16	63						63	±0.3	±0.4	±0.7	±0.9	APPD BY 승 인		REF. NO 참고도면	DWG. NO 도면번호	-	1/1
63	250						250	±0.4	±0.6	±1.2	±1.3	DATE 2017.08.21.					
250	500						500	±0.6	±0.8	±1.5	±1.8	DATE 2017.08.21.					
500	1000						1000	±0.8	±1.0	±2.0	±2.5						
1000	2000						2000	±1.2	±1.5	±2.5	±3.3						
ANGLE	2.25°							±5°	±1.0	±2.0°							