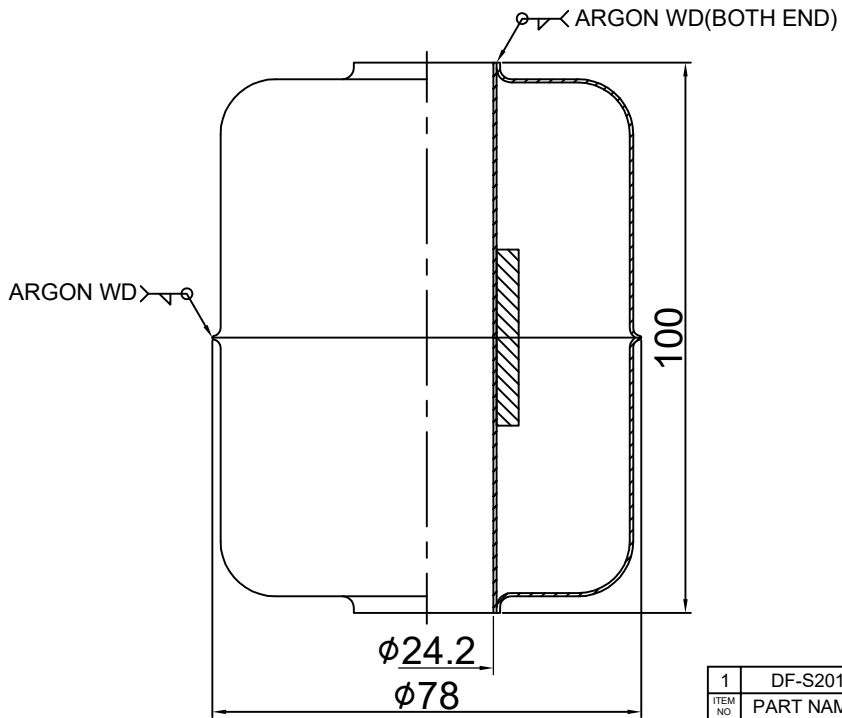
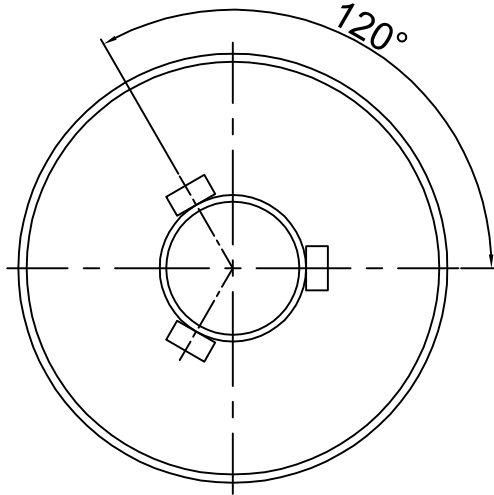


ON DWG

THIS DRAWING IS PROPRIETARY TO DSS
NO PART OF THIS DRAWING MAY BE REPRODUCED
WITHOUT THE PERMISSION OF DSS
02-2101-0688 (TEL) 02-2101-0687 (FAX)



배부처

1	DF-S201	1	SUS304
ITEM NO	PART NAME	QTY	MATERIAL
SPECIFICATION			
MODEL NAME		DF-S201	
PRESSURE		MAX.5Kgf/cm ²	
TEMPERATURE		MAX.120°C	
DIMENSION		φ78xφ24.2x100	
WEIGHT		161g	
SPECIFIC GRAVITY		0.43	
REMARKS :			

NO	DATE	2014.01.27	REVISION	1	4	±0.1	±0.2	±0.3	±0.5	TOLERANCES-UNLESS OTHERWISE SPECIFIED	DONG SUNG SENSORS CO.,LTD. TEL:(02)2101-0688~9 FAX:(02)2101-0687	UNIT	MM, INCH	APPAR.	-
	BY	K.B.HAN		TO	FROM	TURN PUNCH DIST OF HOLE STR.	MULD. DIE CSTG. PRON. CSTG. DRAW	SHEET WELD GAS CTG.	CSTG. FORG.				SCALE		
APPROVED BY	J.H.HAN	DESIGNED BY	K.B.HAN	CHECKED BY	K.B.HAN	DATE	2017.08.21.	2017.08.21.	REF. NO	참고도면	DWG. NO	도면번호	-	1/1	