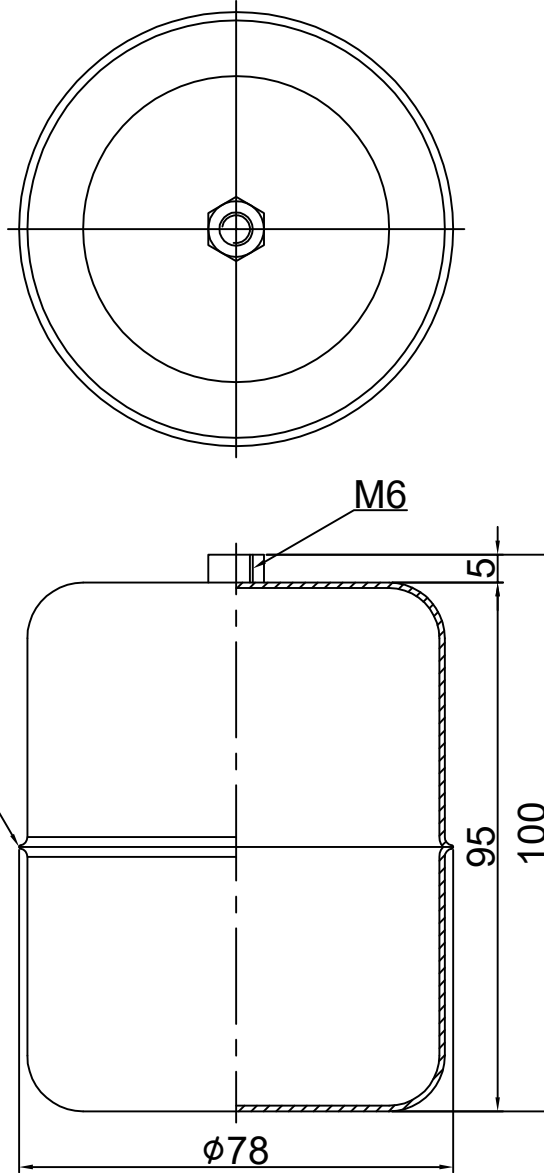


ON SWGD

THIS DRAWING IS PROPRIETARY TO DSS
NO PART OF THIS DRAWING MAY BE REPRODUCED
WITHOUT THE PERMISSION OF DSS
여기것이 복사할 수 없음



배부처	

1	DF-S200	1	SUS304
ITEM NO.	PART NAME	QTY	MATERIAL
SPECIFICATION			
MODEL NAME	DF-S200		
PRESSURE	MAX.5Kgf/cm ²		
TEMPERATURE	MAX.300°C		
DIMENSION	φ78x100x1t		
WEIGHT	125.5g		
SPECIFIC GRAVITY	0.43		
REMARKS :			

NO	DATE	2014.01.27	APPD BY	K.B.HAN	DONG SUNG SENSORS CO.,LTD TEL:(02)2101-0688-9 FAX:(02)2101-0687	UNIT	MM, INCH	APPAR.	-
	REVISION	INITIAL RELEASE	BY	HAN		SCALE	N/S	TITLE	DF-S200
						3RD ANGLE	각 법		
						REF. NO	참고도면	DWG. NO	-
									1/1

TOLERANCES-UNLESS OTHERWISE SPECIFIED			
WORK SIZE	TURN PUNCHG DIST OF HOLE STR.	MILDG. DIE CSTG FROM CSTG DRAW.	SH MET WELD GAS CTG.
1 4	±0.1	±0.2	±0.3
4 16	±0.2	±0.3	±0.5
16 63	±0.3	±0.4	±0.7
63 250	±0.4	±0.5	±1.2
250 500	±0.6	±0.8	±1.5
500 1000	±0.8	±1.0	±2.0
1000 2000	±1.2	±1.5	±3.3
ANGLE	±.25°	±.5°	±1.0°

DRWN BY	J.H.HAN	DSND BY	K.B.HAN	CHKD BY		APPD BY	
DATE	2017.08.21.	DATE	2017.08.21.				