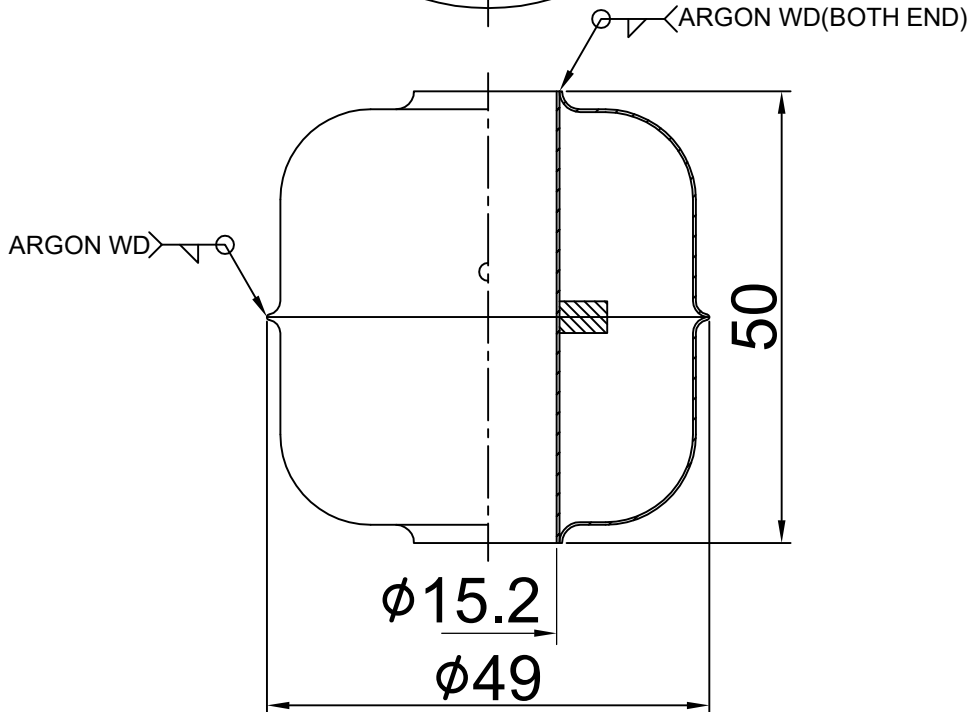
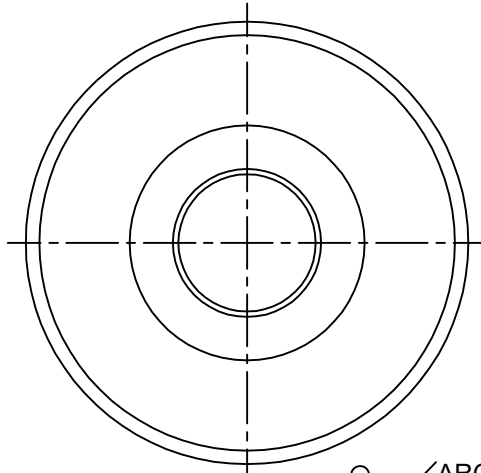


ON 57MG



THIS DRAWING IS PROPRIETARY TO DSS
NO PART OF THIS DRAWING MAY BE REPRODUCED
WITHOUT THE PERMISSION OF DSS
이 기밀인 문서일 수 있음

배부처

1	DF-S13	1	SUS304
ITEM NO	PART NAME	Q'TY	MATERIAL
SPECIFICATION			
MODEL NAME		DF-S13	
PRESSURE		MAX. 10Kgf/cm ²	
TEMPERATURE		MAX. 120°C	
DIMENSION		φ49xφ15.2x50	
WEIGHT		32g	
SPECIFIC GRAVITY		0.45	
REMARKS :			

NO	DATE	2014.01.27	DONG SUNG SENSORS CO.,LTD. TEL:(02)2101-0688-9 FAX:(02)2101-0687				UNIT	MM, INCH	APPAR.	-
	REVISION	BY	K.B.HAN	DRWN BY	DSND BY	CHKD BY	APPD BY	TITLE	DF-S13	
1	4	4	16	63	250	500	1000	3	3RD ANGLE	
TOLERANCES-UNLESS OTHERWISE SPECIFIED		WORK SIZE	TURN FINISHG DIST OF HOLE STR.	MLD.G. DE. CTG. PRON. CTG. DRAW.	SHMET WELD GAS CTG.	CSTG. FORG.	SCALE	N/S	각 법	
OVER	NO	1	±0.1	±0.2	±0.3	±0.5	REF. NO	DWG. NO	1/1	
4	16	±0.2	±0.3	±0.5	±0.7	DATE	2017.08.21.	2017.08.21.		
16	63	±0.3	±0.4	±0.7	±0.9					
63	250	±0.4	±0.6	±1.2	±1.3					
250	500	±0.6	±0.8	±1.5	±1.8					
500	1000	±0.8	±1.0	±2.0	±2.5					
1000	2000	±1.2	±1.5	±2.5	±3.3					
ANGLE	±.25°	±.5°	±1.0°	±2.0°						