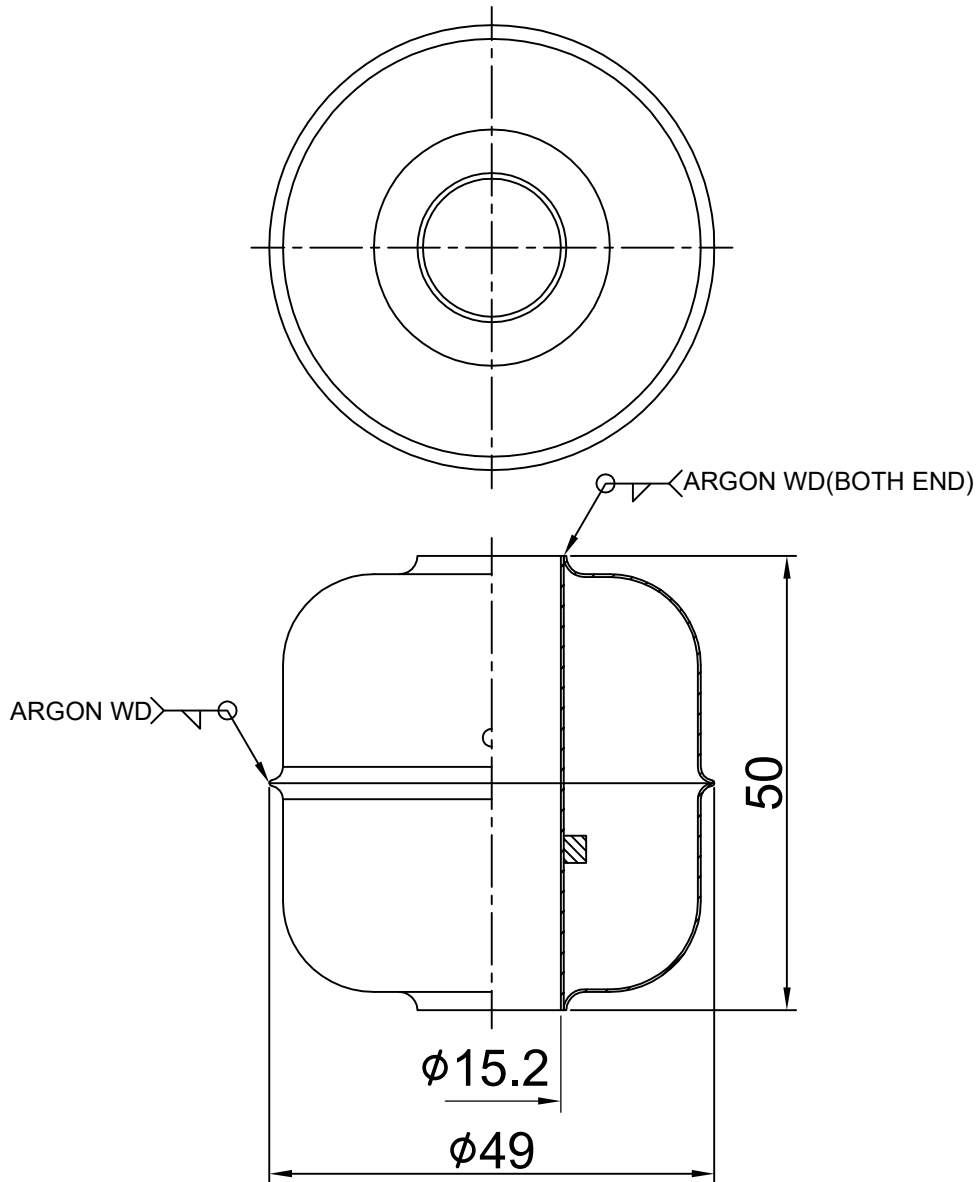


DWG NO
-

THIS DRAWING IS PROPRIETARY TO DSS
NO PART OF THIS DRAWING MAY BE REPRODUCED
WITHOUT THE PERMISSION OF DSS
모든 권리는 DSS에 있습니다



배부처

1	DF-S12	1	SUS304
ITEM NO	PART NAME	QTY	MATERIAL
SPECIFICATION			
MODEL NAME		DF-S12	
PRESSURE		MAX.10Kgf/cm ²	
TEMPERATURE		MAX.120°C	
DIMENSION		φ49xφ15.2x50	
WEIGHT		30.5g	
SPECIFIC GRAVITY		0.43	
REMARKS :			

DONG SUNG SENSORS CO.,LTD. TEL:(02)2101-0688~9 FAX:(02)2101-0687		UNIT 단위	MM, INCH	APPAR.	-
SCALE 척도		N/S		TITLE 제목	DF-S12
3RD ANGLE 3각법		REF. NO 참고도면		DWG. NO 도면번호	-
DATE		2017.08.21.	2017.08.21.		1/1

NO	DATE	REVISION	APPD BY	BY	K.B. HAN	INITIAL RELEASE	WORK SIZE	TOLERANCES-UNLESS OTHERWISE SPECIFIED
1	2014.01.27	4					TURN PUNCH DIST OF HOLE STR	MALDC DIE CSTG. PRCN CSTG DRAW
4	16	±0.2	±0.3	±0.5	±0.7		SHMET WELD GAS CTG	CSTG. FORG.
16	63	±0.3	±0.4	±0.7	±0.9			
63	250	±0.4	±0.6	±1.2	±1.3			
250	500	±0.6	±1.0	±1.5	±1.8			
500	1000	±0.8	±1.5	±2.0	±2.5			
1000	2000	±1.2	±2.0	±2.5	±3.3			
ANGLE		±.25°	±5°	±1.0	±2.0°			