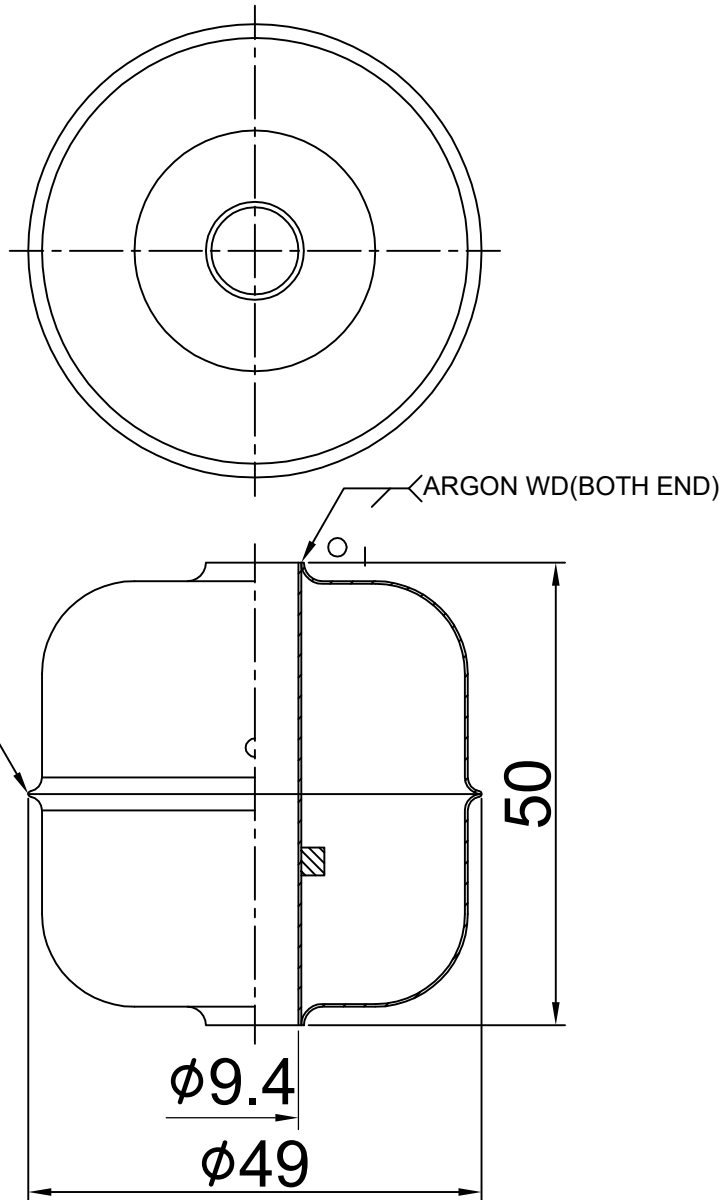


DWG ON

THIS DRAWING IS PROPRIETARY TO DSS
NO PART OF THIS DRAWING MAY BE REPRODUCED
WITHOUT THE PERMISSION OF DSS
본기장이 복사될 수 없음



1	DF-S11	1	SUS304
ITEM NO	PART NAME	QTY	MATERIAL
SPECIFICATION			
MODEL NAME		DF-S11	
PRESSURE		MAX.10Kg/cm ²	
TEMPERATURE		MAX.120°C	
DIMENSION		φ49xφ9.4x50	
WEIGHT		23g	
SPECIFIC GRAVITY		0.28	
REMARKS :			

배부처

APPD BY K.B.HAN		TOLERANCES-UNLESS OTHERWISE SPECIFIED				DONG SUNG SENSORS CO.,LTD. TEL.:(02)2101-0688~9 FAX:(02)2101-0687				UNIT 단위	MM, INCH	APPAR.	-		
REVISION		WORK SIZE	FURN FINCHG DIST OF HOLE STR.	MLDG DIE CSTG. PRON. CSTG. DRAW.	SH MET WELD GAS CTG.	CSTG. FORG.	DRWN BY 제도	DSND BY 설계	CHKD BY 검토	APPD BY 승인	SCALE 척도	N/S	TITLE 제목	DF-S11	
NO	DATE	2014.01.27	1 4 ±0.1 ±0.2 ±0.3 ±0.5	4 16 ±0.2 ±0.3 ±0.5 ±0.7	16 63 ±0.3 ±0.4 ±0.7 ±0.9	63 250 ±0.4 ±0.5 ±1.2 ±1.3	250 500 ±0.6 ±0.8 ±1.5 ±1.8	500 1000 ±0.8 ±1.0 ±2.0 ±2.5	1000 2000 ±1.2 ±1.5 ±2.5 ±3.3	ANGLE	±.25° ±.5° ±1.0° ±2.0°	3RD ANGLE 3 각 법	REF. NO 참고도면	DWG. NO 도면번호	-
DATE		2017.08.21.	DATE		2017.08.21.	DATE		2017.08.21.	DATE		2017.08.21.	DWG. NO		1/1	