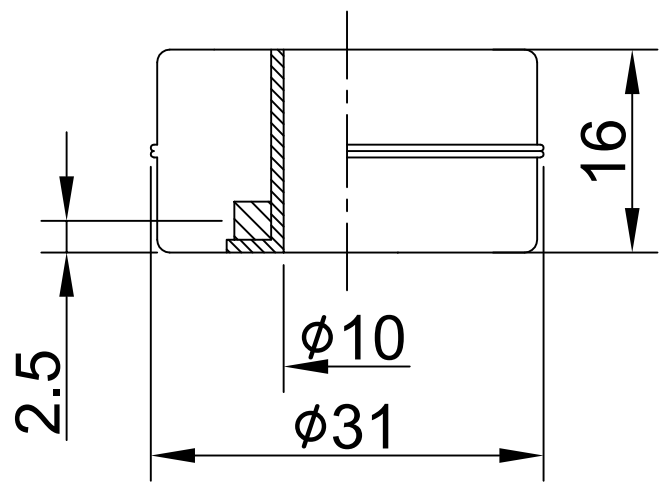
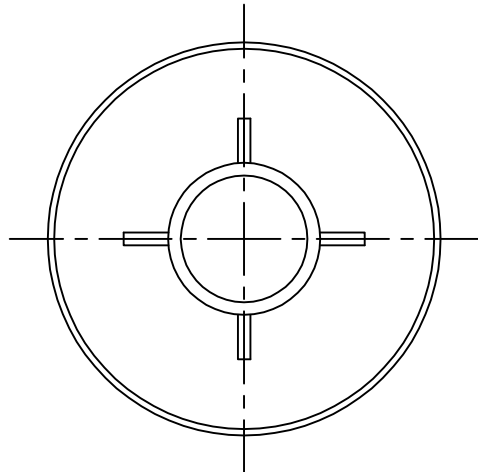


ON GWMD



THIS DRAWING IS PROPRIETARY TO DSS
NO PART OF THIS DRAWING MAY BE REPRODUCED
WITHOUT THE PERMISSION OF DSS
영구권이 보장될 수 없음

배 부 처

1	DF-PP3	1	P.P
ITEM NO	PART NAME	QTY	MATERIAL
SPECIFICATION			
MODEL NAME		DF-PP3	
PRESSURE		MAX.2Kgf/cm ²	
TEMPERATURE		MAX.80°C	
DIMENSION		φ31xφ10x16	
WEIGHT		4.8g	
SPECIFIC GRAVITY		0.5	
REMARKS :			

NO	DATE	REVISION	APPD BY	TOLERANCES-UNLESS OTHERWISE SPECIFIED					DONG SUNG SENSORS CO.,LTD. TEL:(02)2101-0688-9 FAX:(02)2101-0687	UNIT	MM, INCH	APPAR.	-
1	2014.01.27	1	K.B.HAN	WORK SIZE	TURN PCKNG DIST OF HOLE STR.	MLDG. DIE CSTG. PRGN. CSTG. DRAW.	SHMET WELD GAS CTG.	CSTG. FORG.		SCALE	N/S	TITLE	DF-PP3
				OVER	TO				3RD ANGLE	3	제 목		
				4	0.1	±0.2	±0.3	±0.5					
				16	±0.2	±0.3	±0.5	±0.7					
				16	±0.3	±0.4	±0.7	±0.9					
				63	±0.4	±0.5	±1.2	±1.3					
				250	±0.6	±0.8	±1.5	±1.8					
				500	±0.8	±1.0	±2.0	±2.5					
				1000	±1.0	±1.5	±2.5	±3.3					
				2000	±1.5	±2.0	±3.0	±4.0					
				ANGLE	±.25°	±.5°	±1.0°	±2.0°					
				표준	DRWN BY	DSND BY	CHKD BY	APPD BY	REF. NO	DWG. NO		1/1	
				임시	J.H.HAN	K.B.HAN			참고도면	도면번호			
				보류	DATE	2017.04.06.	2017.04.07.						