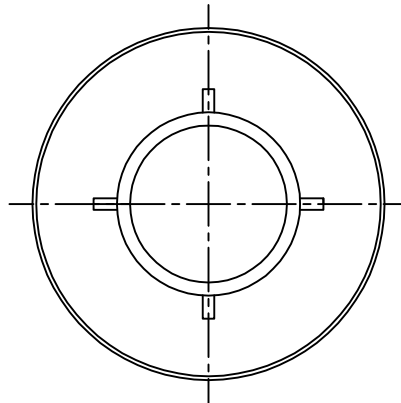


ON GMD

THIS DRAWING IS PROPRIETARY TO DSS  
NO PART OF THIS DRAWING MAY BE REPRODUCED  
WITHOUT THE PERMISSION OF DSS  
당기요인이 복사할 수 없음

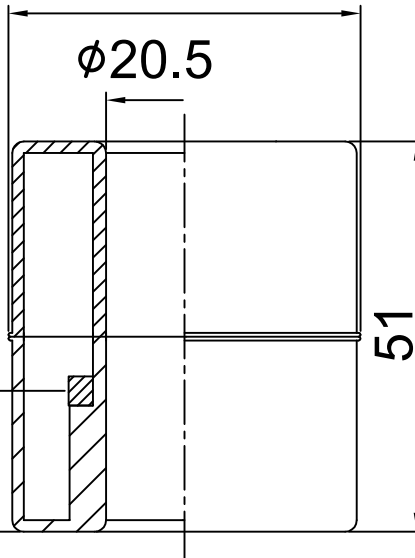


ø46

ø20.5

18.4

51



1	DF-PP10	1	P.P
ITEM NO	PART NAME	QTY	MATERIAL

SPECIFICATION

MODEL NAME	DF-PP10
PRESSURE	MAX.2Kgf/cm <sup>2</sup>
TEMPERATURE	MAX.80°C
DIMENSION	ø46xø20.5x51
WEIGHT	24g
SPECIFIC GRAVITY	0.35

REMARKS :

배 부 처

APPD BY K.B.HAN		TOLERANCES-UNLESS OTHERWISE SPECIFIED		DONG SUNG SENSORS CO.,LTD. TEL:(02)2101-0688~9 FAX:(02)2101-0687		UNIT 단위	MM, INCH	APPAR.	-
NO	DATE	REVISION	INITIAL RELEASE	WORK SIZE	TURN FINISH DIST OF HOLE STR.	MILDG. DIE-CASTG. PRON. CASTG DRAW.	SH MET WELD GAS CTG.	CSTG. FORG.	SCALE 척도
1	4	±0.1	±0.2	±0.3	±0.5	±0.7	±0.9	±1.3	3RD ANGLE 3 각 법
4	16	±0.2	±0.3	±0.5	±0.7	±0.9	±1.3	±1.8	REF. NO
16	63	±0.3	±0.4	±0.7	±1.0	±1.5	±2.0	±2.5	참고도면
63	250	±0.4	±0.6	±1.0	±1.5	±2.0	±2.5	±3.3	DWG. NO
250	500	±0.6	±0.8	±1.0	±1.5	±2.0	±2.5	±3.3	도면번호
500	1000	±0.8	±1.0	±1.5	±2.0	±2.5	±3.3	±4.0	
1000	2000	±1.0	±1.5	±2.0	±2.5	±3.3	±4.0	±5.0	
ANGLE	± 25°	± 5°	± 1.0°	± 2.0°					
DATE	2019.03.06.	DRWN BY J.H.HAN	DSND BY K.B.HAN	CHKD BY K.B.HAN	APPD BY K.B.HAN	DATE	2019.03.06.		
<p>표 (인)</p> <p>인 시</p> <p>반 구</p>								TITLE 제목	DF-PP10
								DWG. NO	-
								도면번호	1/1