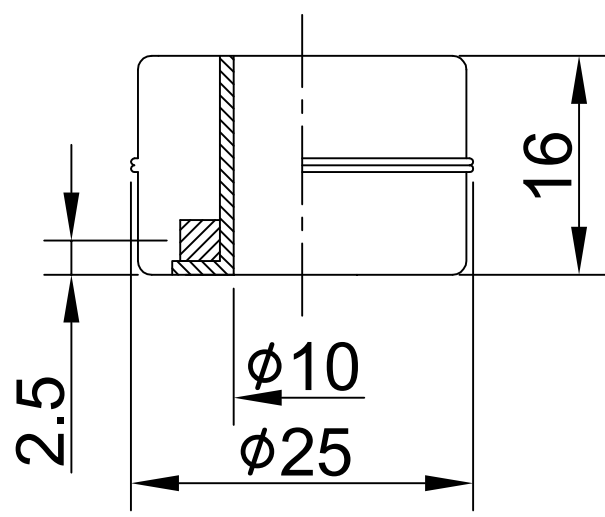
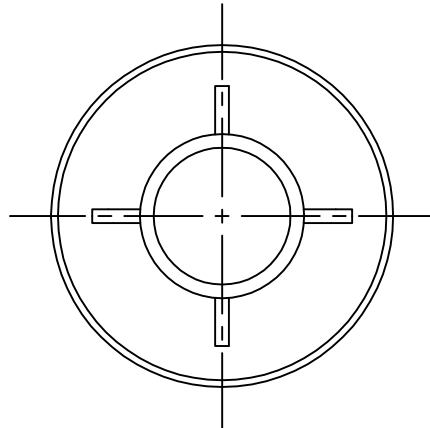


ON DMD

THIS DRAWING IS PROPRIETARY TO DSS  
NO PART OF THIS DRAWING MAY BE REPRODUCED  
WITHOUT THE PERMISSION OF DSS  
중기센서 주식회사



배부처

NO	DATE	REVISION	APPD BY	CHKD BY	INITIAL RELEASE	WORK SIZE	TURN PUNCHG DIST. OF HOLE STR.	M.D.G. DIE CSTG. FROM CSTG. DRAW.	SHIMMET WELD GAS CTG.	CSTG. FORG.
1	4	±0.1	±0.2	±0.3	±0.5	±0.7	±0.9	±1.2	±1.3	±1.8
4	16	±0.2	±0.3	±0.5	±0.7	±0.9	±1.2	±1.3	±1.8	±2.5
16	63	±0.3	±0.4	±0.7	±0.9	±1.2	±1.3	±1.8	±2.5	±3.3
63	250	±0.4	±0.6	±1.0	±1.2	±1.3	±1.8	±2.5	±3.3	±4.0
250	500	±0.6	±0.8	±1.2	±1.5	±1.8	±2.5	±3.3	±4.0	±5.0
500	1000	±0.8	±1.0	±1.5	±2.0	±2.5	±3.3	±4.0	±5.0	±6.0
1000	2000	±1.2	±1.5	±2.0	±2.5	±3.3	±4.0	±5.0	±6.0	±7.0
ANGLE	± 25°	± 5°	± 1.0	± 2.0						

**DONG SUNG SENSORS CO.,LTD.**  
TEL:(02)2101-0688~9 FAX:(02)2101-0687

DRWN BY: J.H.HAN  
DSND BY: K.B.HAN  
CHKD BY: K.B.HAN  
APPD BY: K.B.HAN

DATE: 2017.04.06. 2017.04.07.

UNIT 단위	MM, INCH	APPAR.	-
SCALE 척도	N / S	TITLE 제목	DF-PP1
3RD ANGLE 각법	3 각법	REF. NO 참고도면	-
		DWG. NO 도면번호	1/1

1	DF-PP1	1	P.P
ITEM NO	PART NAME	Q'TY	MATERIAL
SPECIFICATION			
MODEL NAME		DF-PP1	
PRESSURE		MAX.2Kgf/cm <sup>2</sup>	
TEMPERATURE		MAX.80°C	
DIMENSION		φ25xφ10x16	
WEIGHT		4.2g	
SPECIFIC GRAVITY		0.82	
REMARKS :			