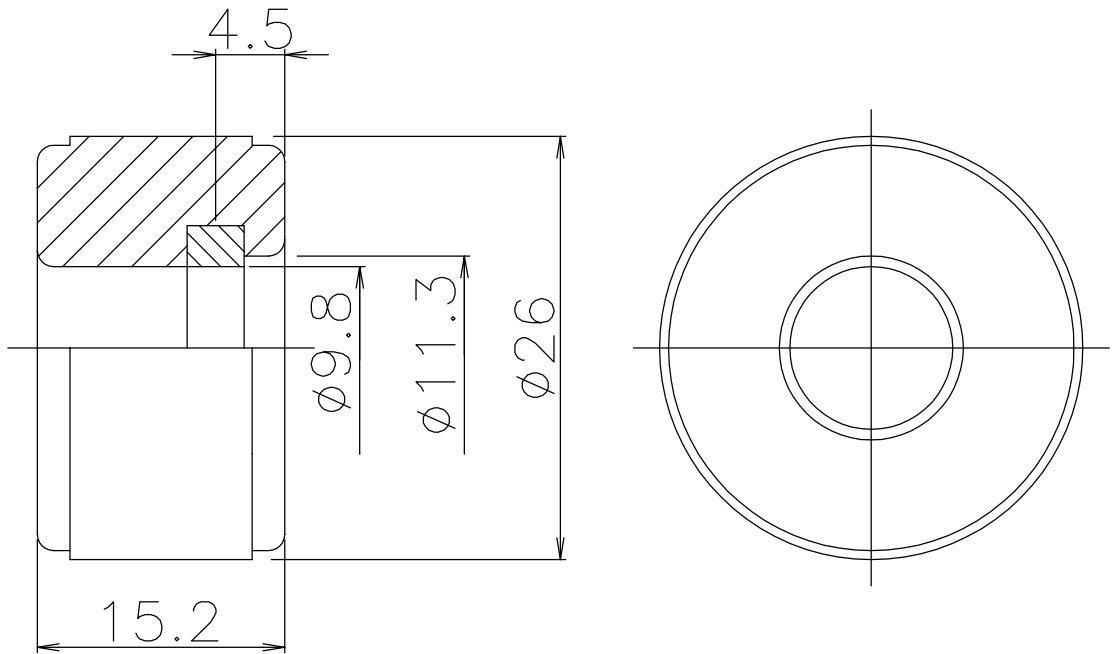


THIS DRAWING IS PROPRIETARY TO DSS
 NO PART OF THIS DRAWING MAY BE
 REPRODUCED OR TRANSMITTED IN ANY FORM
 WITHOUT THE PERMISSION OF DSS
 此圖為本公司之專利品，未經本公司
 許可，不得複製或傳播。

ON 5/AC



| | | | | | | | | | |
|-----|--|--|--|--|--|--|--|--|--|
| 배부처 | | | | | | | | | |
| | | | | | | | | | |
| | | | | | | | | | |
| | | | | | | | | | |
| | | | | | | | | | |
| | | | | | | | | | |
| | | | | | | | | | |
| | | | | | | | | | |
| | | | | | | | | | |
| | | | | | | | | | |

| SPECIFICATION | |
|------------------|---------------------------|
| MODEL NAME | DF-A7 |
| PRESSURE | MAX.10Kgf/cm ² |
| TEMPERATURE | MAX.90°C |
| DIMENSION | ø26xH15.2xø9.8 |
| WEIGHT | 4g |
| SPECIFIC GRAVITY | 0.58 |
| MATERIAL | NBR |
| REMARKS: | |

| | | | | | | | | | |
|--------------------|---------------------------------------|-----|------------|-----|---|-------|------------------------|--------|-------|
| APPD BY K.B.HAN | TOLERANCES-UNLESS OTHERWISE SPECIFIED | | | | DONG SUNG SENSORS CO.,LTD. TEL.(02)2101-0688~9 FAX(02)2101-0687 | | UNIT 단위 MM, INCH | APPAR. | - |
| REVISION | DATE | NO | DATE | NO | DATE | SCALE | 3RD ANGLE | TITLE | DF-A7 |
| 1 | 2014.01.27 | 1 | 2014.01.27 | 1 | 2014.01.27 | N/S | 각 | 제목 | |
| 2 | | 2 | | 2 | | | | | |
| 3 | | 3 | | 3 | | | | | |
| 4 | | 4 | | 4 | | | | | |
| 5 | | 5 | | 5 | | | | | |
| 6 | | 6 | | 6 | | | | | |
| 7 | | 7 | | 7 | | | | | |
| 8 | | 8 | | 8 | | | | | |
| 9 | | 9 | | 9 | | | | | |
| 10 | | 10 | | 10 | | | | | |
| 11 | | 11 | | 11 | | | | | |
| 12 | | 12 | | 12 | | | | | |
| 13 | | 13 | | 13 | | | | | |
| 14 | | 14 | | 14 | | | | | |
| 15 | | 15 | | 15 | | | | | |
| 16 | | 16 | | 16 | | | | | |
| 17 | | 17 | | 17 | | | | | |
| 18 | | 18 | | 18 | | | | | |
| 19 | | 19 | | 19 | | | | | |
| 20 | | 20 | | 20 | | | | | |
| 21 | | 21 | | 21 | | | | | |
| 22 | | 22 | | 22 | | | | | |
| 23 | | 23 | | 23 | | | | | |
| 24 | | 24 | | 24 | | | | | |
| 25 | | 25 | | 25 | | | | | |
| 26 | | 26 | | 26 | | | | | |
| 27 | | 27 | | 27 | | | | | |
| 28 | | 28 | | 28 | | | | | |
| 29 | | 29 | | 29 | | | | | |
| 30 | | 30 | | 30 | | | | | |
| 31 | | 31 | | 31 | | | | | |
| 32 | | 32 | | 32 | | | | | |
| 33 | | 33 | | 33 | | | | | |
| 34 | | 34 | | 34 | | | | | |
| 35 | | 35 | | 35 | | | | | |
| 36 | | 36 | | 36 | | | | | |
| 37 | | 37 | | 37 | | | | | |
| 38 | | 38 | | 38 | | | | | |
| 39 | | 39 | | 39 | | | | | |
| 40 | | 40 | | 40 | | | | | |
| 41 | | 41 | | 41 | | | | | |
| 42 | | 42 | | 42 | | | | | |
| 43 | | 43 | | 43 | | | | | |
| 44 | | 44 | | 44 | | | | | |
| 45 | | 45 | | 45 | | | | | |
| 46 | | 46 | | 46 | | | | | |
| 47 | | 47 | | 47 | | | | | |
| 48 | | 48 | | 48 | | | | | |
| 49 | | 49 | | 49 | | | | | |
| 50 | | 50 | | 50 | | | | | |
| 51 | | 51 | | 51 | | | | | |
| 52 | | 52 | | 52 | | | | | |
| 53 | | 53 | | 53 | | | | | |
| 54 | | 54 | | 54 | | | | | |
| 55 | | 55 | | 55 | | | | | |
| 56 | | 56 | | 56 | | | | | |
| 57 | | 57 | | 57 | | | | | |
| 58 | | 58 | | 58 | | | | | |
| 59 | | 59 | | 59 | | | | | |
| 60 | | 60 | | 60 | | | | | |
| 61 | | 61 | | 61 | | | | | |
| 62 | | 62 | | 62 | | | | | |
| 63 | | 63 | | 63 | | | | | |
| 64 | | 64 | | 64 | | | | | |
| 65 | | 65 | | 65 | | | | | |
| 66 | | 66 | | 66 | | | | | |
| 67 | | 67 | | 67 | | | | | |
| 68 | | 68 | | 68 | | | | | |
| 69 | | 69 | | 69 | | | | | |
| 70 | | 70 | | 70 | | | | | |
| 71 | | 71 | | 71 | | | | | |
| 72 | | 72 | | 72 | | | | | |
| 73 | | 73 | | 73 | | | | | |
| 74 | | 74 | | 74 | | | | | |
| 75 | | 75 | | 75 | | | | | |
| 76 | | 76 | | 76 | | | | | |
| 77 | | 77 | | 77 | | | | | |
| 78 | | 78 | | 78 | | | | | |
| 79 | | 79 | | 79 | | | | | |
| 80 | | 80 | | 80 | | | | | |
| 81 | | 81 | | 81 | | | | | |
| 82 | | 82 | | 82 | | | | | |
| 83 | | 83 | | 83 | | | | | |
| 84 | | 84 | | 84 | | | | | |
| 85 | | 85 | | 85 | | | | | |
| 86 | | 86 | | 86 | | | | | |
| 87 | | 87 | | 87 | | | | | |
| 88 | | 88 | | 88 | | | | | |
| 89 | | 89 | | 89 | | | | | |
| 90 | | 90 | | 90 | | | | | |
| 91 | | 91 | | 91 | | | | | |
| 92 | | 92 | | 92 | | | | | |
| 93 | | 93 | | 93 | | | | | |
| 94 | | 94 | | 94 | | | | | |
| 95 | | 95 | | 95 | | | | | |
| 96 | | 96 | | 96 | | | | | |
| 97 | | 97 | | 97 | | | | | |
| 98 | | 98 | | 98 | | | | | |
| 99 | | 99 | | 99 | | | | | |
| 100 | | 100 | | 100 | | | | | |