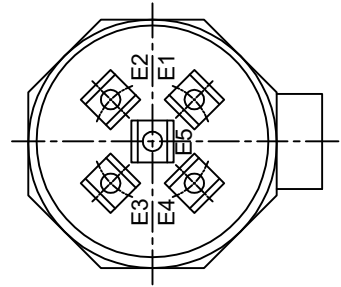
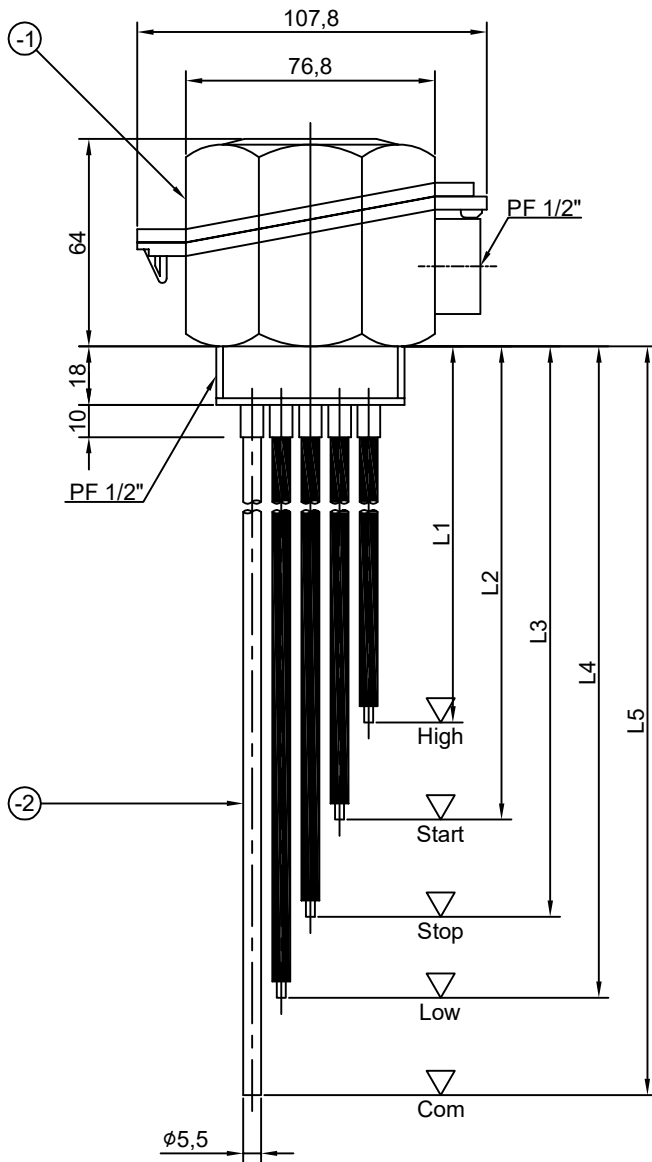


THIS DRAWING IS PROPRIETARY TO DSS
NO PART OF THIS DRAWING MAY BE REPRODUCED
WITHOUT THE PERMISSION OF DSS
해기없이 복사할 수 없음



E1 : High Alarm
E2 : Pump Start
E3 : Pump Stop
E4 : Low Alarm
E5 : Common

(UNIT:mm)

| | L1 | L2 | L3 | L4 | L5 |
|-----------------|--------------|------|--------------|----|----|
| -2 | ELECTRODE | 5 | P.E + SUS304 | | |
| -1 | HEAD | 1 | ABS | | |
| 1 | DES-5 | 1SET | - | | |
| ITEM NO. | PART NAME | QTY | MATERIAL | | |
| SPECIFICATION | | | | | |
| MODEL NAME | DES-5 | | | | |
| PRESSURE | A.T.M | | | | |
| TEMPERATURE | -10~+60°C | | | | |
| APPLICATIONS | WATER | | | | |
| WIRE CONNECTION | 5-WIRE | | | | |
| MOUNTING METHOD | TOP | | | | |
| MOUNTING SIZE | PF 2" | | | | |
| LOOP IMPEDANCE | 500Ω(15V DC) | | | | |
| MEASURING RANGE | MAX. 5M | | | | |
| REMARKS : | | | | | |

배부처

| | | | | | | | |
|--|--|--|--|----------------------------|--------------|--------------|-------------------------------|
| TOLERANCES-UNLESS OTHERWISE SPECIFIED WORK SIZE: OVER 1 4 ±0.1 ±0.2 ±0.3 ±0.5 TURN PUNCH: 4 16 ±0.2 ±0.3 ±0.5 ±0.7 DIST. OF HOLE STR.: 16 63 ±0.3 ±0.4 ±0.7 ±0.9 HILDG. DIE CSTG. PRON. CSTG. DRAW.: 63 250 ±0.4 ±0.6 ±1.2 ±1.3 SH MET WELD GAS CTG.: 250 500 ±0.6 ±0.8 ±1.5 ±1.8 CSTG. FORM.: 500 1000 ±0.8 ±1.0 ±2.0 ±2.5 1000 2000 ±1.2 ±1.5 ±2.5 ±3.3 ANGLE: 25° ±5° ±1.0° ±2.0° | | DONG SUNG SENSORS CO.,LTD. TEL:(02)2101-0688-9 FAX:(02)2101-0687 | | UNIT 단위 | MM, INCH | APPAR. | - |
| 2014. 01.27 DATE: 2017.06.27. 2017.06.28. | REVISION: 1, 4, 16, 63, 250, 500, 1000, 2000 | DRWN BY: J.H.HAN DSND BY: K.B.HAN CHKD BY: K.B.HAN APPD BY: K.B.HAN | REF. NO: 3RD ANGLE 3각법 DWG. NO: 1/1 | SCALE: N/S REF. NO: 3각법 | TITLE: DES-5 | DWG. NO: 1/1 | DATE: 2017.06.27. 2017.06.28. |