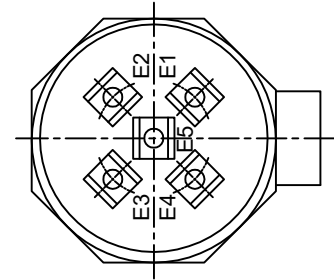
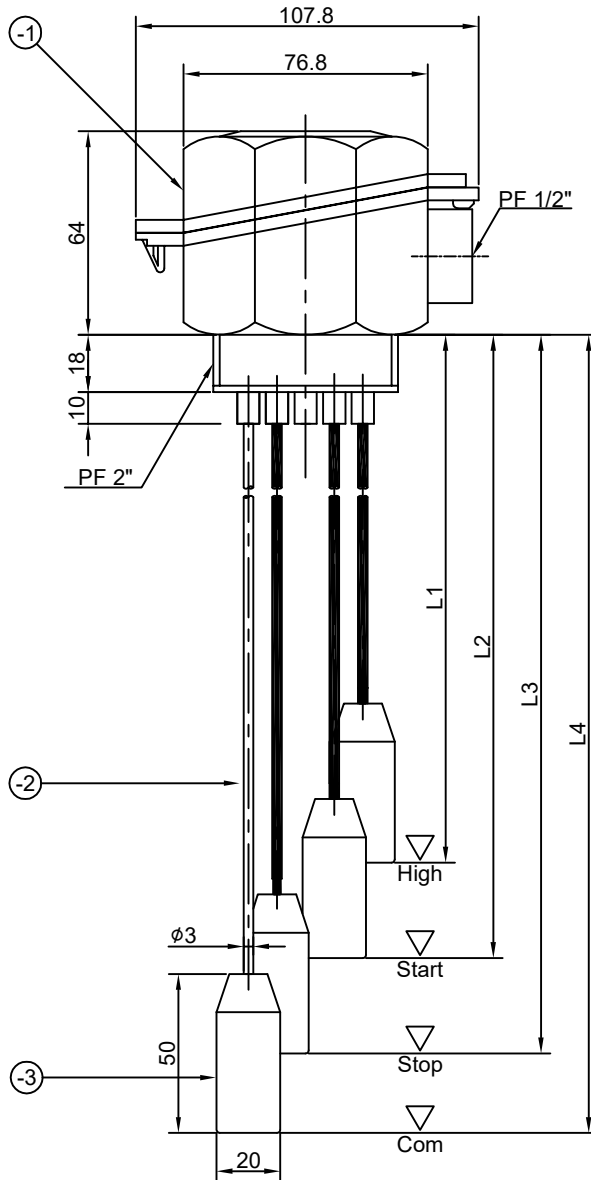


ON GMD

THIS DRAWING IS PROPRIETARY TO DSS
NO PART OF THIS DRAWING MAY BE REPRODUCED
WITHOUT THE PERMISSION OF DSS
해당요인이 복사할 수 없음



E1 : High Alarm
E2 : Pump Start
E3 : Pump Stop
E5 : Common

(UNIT:mm)

| L1 | L2 | L3 | L4 | - |
|-----------------|----------------|--------------|----------|---|
| -3 | WEIGHT | 4 | SUS304 | |
| -2 | WIRE ELECTRODE | 4 | SUS304 | |
| -1 | HEAD | 1 | ABS | |
| 1 | DES-4W | 1SET | - | |
| ITEM NO | PART NAME | Q'TY | MATERIAL | |
| SPECIFICATION | | | | |
| MODEL NAME | | DES-4W | | |
| PRESSURE | | A.T.M | | |
| TEMPERATURE | | -10 ~ 60°C | | |
| APPLICATIONS | | WATER | | |
| WIRE CONNECTION | | 4-WIRE | | |
| MOUNTING METHOD | | TOP | | |
| MOUNTING SIZE | | PF 2" | | |
| LOOP IMPEDANCE | | 500Ω(15V DC) | | |
| MEASURING RANGE | | ORDER MADE | | |
| REMARKS : | | | | |

배부처

| NO | DATE | REVISION | APPD BY | CHK BY | DATE | NO | DATE | REVISION | APPD BY | CHK BY | DATE |
|----|------------|-----------------------------------|---------|--------|------|----|------------|-----------------------------------|---------|--------|------|
| 1 | 2014.01.27 | INITIAL RELEASE | | | | 1 | 2014.01.27 | INITIAL RELEASE | | | |
| 2 | 2014.01.27 | WORK OVER | | | | 2 | 2014.01.27 | WORK OVER | | | |
| 3 | 2014.01.27 | TURN PNCNG DIST OF HOLE STR. | | | | 3 | 2014.01.27 | TURN PNCNG DIST OF HOLE STR. | | | |
| 4 | 2014.01.27 | MLDG. DIE CSTG. PRON. CSTG. DRAW. | | | | 4 | 2014.01.27 | MLDG. DIE CSTG. PRON. CSTG. DRAW. | | | |
| 5 | 2014.01.27 | SH MET WELD GAS CTG. | | | | 5 | 2014.01.27 | SH MET WELD GAS CTG. | | | |
| 6 | 2014.01.27 | CSTG. FORG. | | | | 6 | 2014.01.27 | CSTG. FORG. | | | |

| | | | | | | | |
|--|--|-------------|--|-----------|----------|---------|--------|
| DONG SUNG SENSORS CO.,LTD. TEL:(02)2101-0688~9 FAX:(02)2101-0687 | | | | UNIT | MM, INCH | APPAR. | - |
| (표준) 인시 보류 | | | | SCALE | N/S | TITLE | DES-4W |
| DRWN BY | | J.H.HAN | | 3RD ANGLE | 3 각법 | DWG. NO | - |
| DSND BY | | K.B.HAN | | REF. NO | 참고도면 | 도면번호 | 1/1 |
| CHKD BY | | | | | | | |
| APPD BY | | | | | | | |
| DATE | | 2017.07.03. | | | | | |
| DATE | | 2017.07.04. | | | | | |