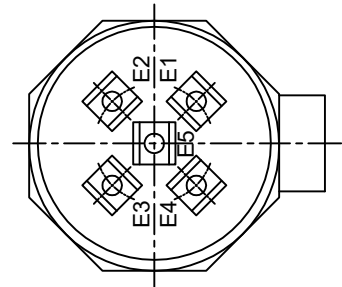
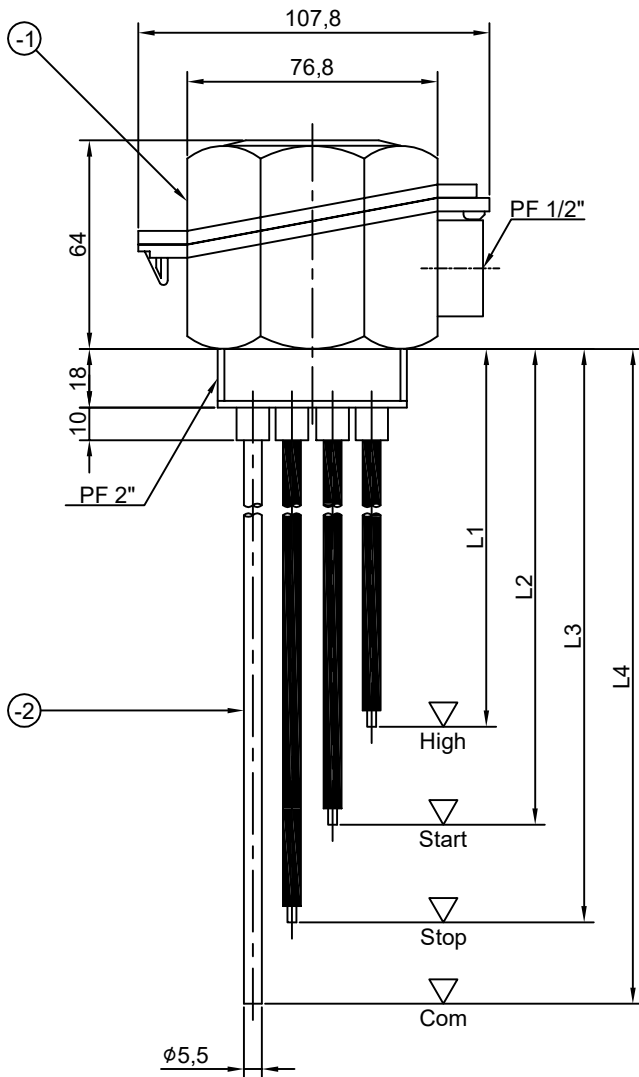


THIS DRAWING IS PROPRIETARY TO DSS.
NO PART OF THIS DRAWING MAY BE REPRODUCED
WITHOUT THE PERMISSION OF DSS.
허가없이 복사할 수 없음



E1 : High Alarm
E2 : Pump Start
E3 : Pump Stop
E5 : Common

(UNIT:mm)

| L1 | L2 | L3 | L4 | - |
|-----------------|-----------|--------------|--------------|---|
| -2 | ELECTRODE | 4 | P.E + SUS304 | |
| -1 | HEAD | 1 | ABS | |
| 1 | DES-4 | 1SET | - | |
| ITEM NO | PART NAME | Q'TY | MATERIAL | |
| SPECIFICATION | | | | |
| MODEL NAME | | DES-4 | | |
| PRESSURE | | A.T.M | | |
| TEMPERATURE | | -10~+60°C | | |
| APPLICATIONS | | WATER | | |
| WIRE CONNECTION | | 4-WIRE | | |
| MOUNTING METHOD | | TOP | | |
| MOUNTING SIZE | | PF 2" | | |
| LOOP IMPEDANCE | | 500Ω(15V DC) | | |
| MEASURING RANGE | | MAX. 5M | | |
| REMARKS : | | | | |

배부처

| NO | DATE | REVISION | INITIAL RELEASE | APPD BY | BY | K.B. HAN | TOLERANCES-UNLESS OTHERWISE SPECIFIED | | | | | DONG SUNG SENSORS CO.,LTD. TEL:(02)2101-0688~9 FAX:(02)2101-0687 | | | | UNIT | MM, inch | SCALE | 3RD ANGLE 3 각 법 | REF. NO | DWG. NO | 도면번호 | | | | | | | | | | | | | | | | |
|----|------------|----------|-----------------|---------|-------|----------|---------------------------------------|-------|-------|-------|-------------|---|-------------|-------------|-------------|---------------------|---------------------|--------------------|---------------------|-------------|---------------------|-------------|---------------------|---------------------|--------------------|--------------------|---------|---------------------|-------------|--------------------|---------|------|-------------|-------|---------|---|------|-----|
| 1 | 2014.01.27 | 1 | 4 | 1 | 4 | ±0.1 | ±0.2 | ±0.3 | ±0.5 | ±0.5 | ±0.3 | ±0.5 | ±0.7 | ±0.9 | ±1.2 | ±1.3 | ±1.5 | ±1.8 | ±2.0 | ±2.5 | ±3.3 | ±2.0° | 2017.06.27. | 2017.06.28. | 인시 | J.H.HAN | K.B.HAN | MM, inch | N/S | 3RD ANGLE 3 각 법 | APPAR. | - | TITLE 제목 | DES-4 | DWG. NO | - | 도면번호 | 1/1 |
| 2 | 2014.01.27 | 2 | 16 | 4 | 16 | ±0.2 | ±0.3 | ±0.5 | ±0.7 | ±0.9 | ±1.2 | ±1.3 | ±1.5 | ±1.8 | ±2.0 | ±2.5 | ±3.3 | ±2.0° | 2017.06.27. | 2017.06.28. | 인시 | J.H.HAN | K.B.HAN | MM, inch | N/S | 3RD ANGLE 3 각 법 | APPAR. | - | TITLE 제목 | DES-4 | DWG. NO | - | 도면번호 | 1/1 | | | | |
| 3 | 2014.01.27 | 3 | 63 | 16 | 63 | ±0.3 | ±0.4 | ±0.7 | ±0.9 | ±1.2 | ±1.3 | ±1.5 | ±1.8 | ±2.0 | ±2.5 | ±3.3 | ±2.0° | 2017.06.27. | 2017.06.28. | 인시 | J.H.HAN | K.B.HAN | MM, inch | N/S | 3RD ANGLE 3 각 법 | APPAR. | - | TITLE 제목 | DES-4 | DWG. NO | - | 도면번호 | 1/1 | | | | | |
| 4 | 2014.01.27 | 4 | 250 | 63 | 250 | ±0.4 | ±0.5 | ±1.2 | ±1.3 | ±1.5 | ±1.8 | ±2.0 | ±2.5 | ±3.3 | ±2.0° | 2017.06.27. | 2017.06.28. | 인시 | J.H.HAN | K.B.HAN | MM, inch | N/S | 3RD ANGLE 3 각 법 | APPAR. | - | TITLE 제목 | DES-4 | DWG. NO | - | 도면번호 | 1/1 | | | | | | | |
| 5 | 2014.01.27 | 5 | 500 | 250 | 500 | ±0.6 | ±0.8 | ±1.5 | ±1.8 | ±2.0 | ±2.5 | ±3.3 | ±2.0° | 2017.06.27. | 2017.06.28. | 인시 | J.H.HAN | K.B.HAN | MM, inch | N/S | 3RD ANGLE 3 각 법 | APPAR. | - | TITLE 제목 | DES-4 | DWG. NO | - | 도면번호 | 1/1 | | | | | | | | | |
| 6 | 2014.01.27 | 6 | 1000 | 500 | 1000 | ±0.8 | ±1.0 | ±2.0 | ±2.5 | ±3.3 | ±2.0° | 2017.06.27. | 2017.06.28. | 인시 | J.H.HAN | K.B.HAN | MM, inch | N/S | 3RD ANGLE 3 각 법 | APPAR. | - | TITLE 제목 | DES-4 | DWG. NO | - | 도면번호 | 1/1 | | | | | | | | | | | |
| 7 | 2014.01.27 | 7 | 2000 | 1000 | 2000 | ±1.2 | ±1.5 | ±2.5 | ±3.3 | ±2.0° | 2017.06.27. | 2017.06.28. | 인시 | J.H.HAN | K.B.HAN | MM, inch | N/S | 3RD ANGLE 3 각 법 | APPAR. | - | TITLE 제목 | DES-4 | DWG. NO | - | 도면번호 | 1/1 | | | | | | | | | | | | |
| 8 | 2014.01.27 | 8 | ANGLE | 2000 | ANGLE | ±.25° | ±5° | ±1.0° | ±2.0° | ±2.0° | 2017.06.27. | 2017.06.28. | 인시 | J.H.HAN | K.B.HAN | MM, inch | N/S | 3RD ANGLE 3 각 법 | APPAR. | - | TITLE 제목 | DES-4 | DWG. NO | - | 도면번호 | 1/1 | | | | | | | | | | | | |