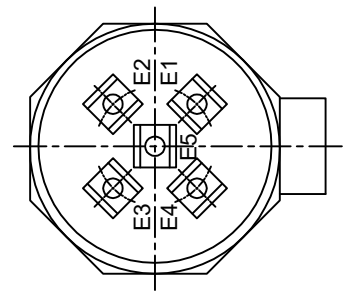
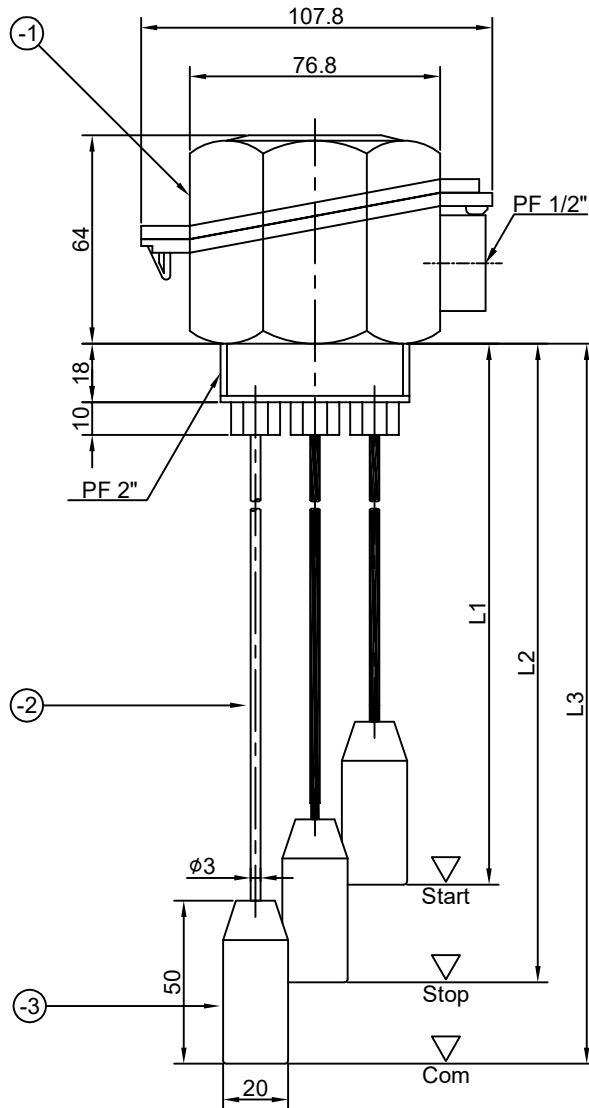


THIS DRAWING IS PROPRIETARY TO DSS
 NO PART OF THIS DRAWING MAY BE REPRODUCED
 WITHOUT THE PERMISSION OF DSS.
 허가없이 복사할 수 없음



E2 : Pump Start
 E3 : Pump Stop
 E5 : Common

(UNIT:mm)

L1	L2	L3	-	-
-3	WEIGHT	3	SUS304	
-2	WIRE ELECTRODE	3	SUS304	
-1	HEAD	1	ABS	
1	DES-3W	1SET	-	
ITEM NO	PART NAME	Q'TY	MATERIAL	
SPECIFICATION				
MODEL NAME	DES-3W			
PRESSURE	A.T.M			
TEMPERATURE	-10 ~ 60°C			
APPLICATIONS	WATER			
WIRE CONNECTION	3-WIRE			
MOUNTING METHOD	TOP			
MOUNTING SIZE	PF 2"			
LOOP IMPEDANCE	500Ω(15V DC)			
MEASURING RANGE	ORDER MADE			
REMARKS :				

배 부 처

NO	DATE	REVISION	APPD BY	BY	INITIAL RELEASE	K.B. HAN	TOLERANCES-UNLESS OTHERWISE SPECIFIED					DONG SUNG SENSORS CO.,LTD. TEL:(02)2101-0688~9 FAX:(02)2101-0687		UNIT	MM, INCH	APPAR.	TITLE	DWG. NO	도면번호	
1	4	± 0.1	± 0.2	± 0.3	± 0.5		WORK SIZE	TURN PUNCHING DIST OF HOLE STR.	MILDG. DIE CSTG. PRCN. CSTG. DRAW.	SHMET WELD QMS CSTG.	CSTG. FORG.	SCALE	N/S	3RD ANGLE	3 각 법	REF. NO	참고도면	DWG. NO	도면번호	
4	16	± 0.2	± 0.3	± 0.5	± 0.7		1	4	± 0.1	± 0.2	± 0.3	± 0.5								
16	63	± 0.3	± 0.4	± 0.7	± 0.9		4	16	± 0.2	± 0.3	± 0.5	± 0.7								
63	250	± 0.4	± 0.6	± 1.2	± 1.3		16	63	± 0.3	± 0.4	± 0.7	± 0.9								
250	500	± 0.6	± 1.0	± 1.5	± 1.8		63	250	± 0.4	± 0.6	± 1.2	± 1.3								
500	1000	± 0.8	± 1.0	± 2.0	± 2.5		250	500	± 0.6	± 1.0	± 1.5	± 1.8								
1000	2000	± 1.2	± 1.5	± 2.5	± 3.3		500	1000	± 0.8	± 1.0	± 2.0	± 2.5								
ANGLE	± .25°	± .5°	± 1.0°	± 2.0°			1000	2000	± 1.2	± 1.5	± 2.5	± 3.3								
DATE	2017.07.03.	2017.07.04.	DRWN BY	J.H.HAN	DSND BY	K.B.HAN	CHKD BY	APPD BY												

DES-3W