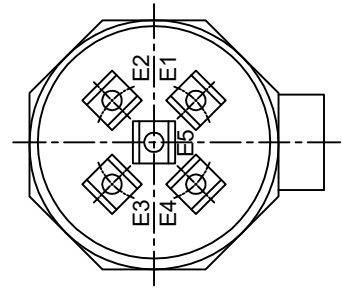
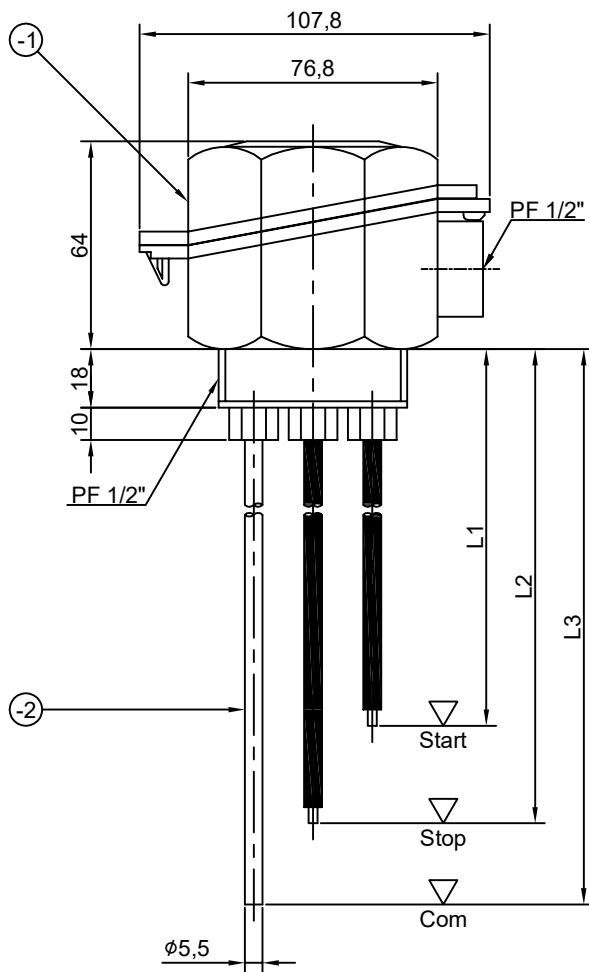


THIS DRAWING IS PROPRIETARY TO DSS
NO PART OF THIS DRAWING MAY BE REPRODUCED
WITHOUT THE PERMISSION OF DSS
허가없이 복사할 수 없음



E2 : Pump Start
E3 : Pump Stop
E5 : Common

(UNIT:mm)

L1	L2	L3	-	-
-2	ELECTRODE	3	P.E + SUS304	
-1	HEAD	1	ABS	
1	DES-3	1SET	-	
ITEM NO	PART NAME	Q'TY	MATERIAL	
SPECIFICATION				
MODEL NAME		DES-3		
PRESSURE		A.T.M		
TEMPERATURE		-10~+60°C		
APPLICATIONS		WATER		
WIRE CONNECTION		3-WIRE		
MOUNTING METHOD		TOP		
MOUNTING SIZE		PF 2"		
LOOP IMPEDANCE		500Ω(15V DC)		
MEASURING RANGE		MAX. 5M		
REMARKS :				

배 부 처

APPD BY	K.B.HAN	TOLERANCES-UNLESS OTHERWISE SPECIFIED		DONG SUNG SENSORS CO.,LTD.		UNIT	MM, INCH	APPAR.	-
REVISION	INITIAL RELEASE	WORK SIZE	TURN PUNCH DIST OF HOLE STR.	MLDG. DIE CSTG. PRON. CSTG. DRAW.	SHIMET WELD GAS CTG.	SCALE	N/S	TITLE	DES-3
DATE	2014.01.27	OVER 1	± 0.1	± 0.2	± 0.3	3RD ANGLE	3 각 판	REF. NO	-
NO	2014.01.27	4	± 0.2	± 0.3	± 0.5	REF. NO	참고도면	DWG. NO	도면번호
DATE	2017.06.27.	16	± 0.3	± 0.4	± 0.7	DATE	2017.06.27.	1/1	
DATE	2017.06.27.	63	± 0.4	± 0.5	± 0.9	DATE	2017.06.28.		
DATE	2017.06.27.	250	± 0.6	± 0.8	± 1.2				
DATE	2017.06.27.	500	± 0.8	± 1.0	± 1.5				
DATE	2017.06.27.	1000	± 1.0	± 1.2	± 1.8				
DATE	2017.06.27.	2000	± 1.2	± 1.5	± 2.0				
DATE	2017.06.27.	ANGLE	± 25°	± 5°	± 1.0				