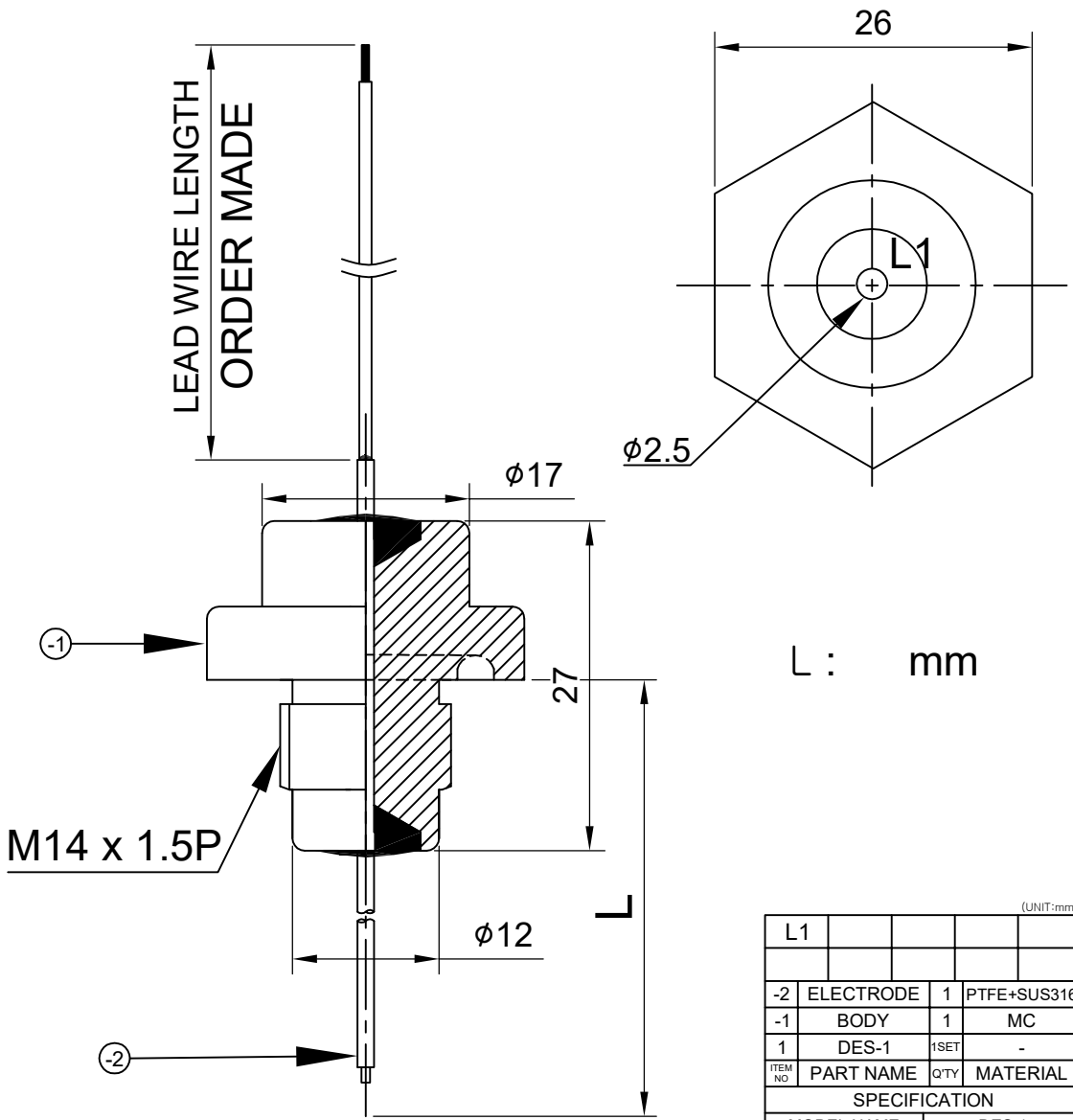


ON GMD

THIS DRAWING IS PROPRIETARY TO DSS  
NO PART OF THIS DRAWING MAY BE REPRODUCED  
WITHOUT THE PERMISSION OF DSS  
이 기밀이 복사할 수 없음



L : mm

(UNIT:mm)

L1				
-2	ELECTRODE	1	PTFE+SUS316	
-1	BODY	1	MC	
1	DES-1	1SET	-	
ITEM NO	PART NAME	Q'TY	MATERIAL	
SPECIFICATION				
MODEL NAME		DES-1		
PRESSURE		A.T.M		
TEMPERATURE		-10~+60°C		
APPLICATIONS		WATER		
WIRE CONNECTION		1-WIRE		
MOUNTING METHOD		TOP		
MOUNTING SIZE		M14		
MEASURING RANGE		ORDER MADE		
REMARKS :				

배부처									

APPR BY		K.B. HAN		TOLERANCES-UNLESS OTHERWISE SPECIFIED		DONG SUNG SENSORS CO.,LTD.		UNIT		APPAR.	
REVISION		INITIAL RELEASE		WORK		TEL:(02)2101-0688-9 FAX:(02)2101-0687		MM, INCH			
DATE		2014. 01.27		SIZE		DRWN BY		SCALE		TITLE	
NO		2014		TURN		J.H.HAN		N/S		DES - 1	
DATE		2014		RNKGD		DSND BY		3RD ANGLE		DWG. NO	
NO		2014		DIST OF		K.B.HAN		3 각 법		도면번호	
NO		2014		HOLE STR.		DATE		REF. NO		DWG. NO	
NO		2014		DRAW.		2017.06.27		참고도면		도면번호	
NO		2014		SH.MET		2017.06.28				1/1	
NO		2014		WELD							
NO		2014		GAS							
NO		2014		CTG.							
NO		2014		FORG.							
NO		2014		CTG.							
NO		2014		±0.1							
NO		2014		±0.2							
NO		2014		±0.3							
NO		2014		±0.4							
NO		2014		±0.5							
NO		2014		±0.6							
NO		2014		±0.7							
NO		2014		±0.8							
NO		2014		±0.9							
NO		2014		±1.0							
NO		2014		±1.1							
NO		2014		±1.2							
NO		2014		±1.3							
NO		2014		±1.4							
NO		2014		±1.5							
NO		2014		±1.6							
NO		2014		±1.7							
NO		2014		±1.8							
NO		2014		±1.9							
NO		2014		±2.0							
NO		2014		±2.1							
NO		2014		±2.2							
NO		2014		±2.3							
NO		2014		±2.4							
NO		2014		±2.5							
NO		2014		±2.6							
NO		2014		±2.7							
NO		2014		±2.8							
NO		2014		±2.9							
NO		2014		±3.0							
NO		2014		±3.1							
NO		2014		±3.2							
NO		2014		±3.3							
NO		2014		±3.4							
NO		2014		±3.5							
NO		2014		±3.6							
NO		2014		±3.7							
NO		2014		±3.8							
NO		2014		±3.9							
NO		2014		±4.0							
NO		2014		±4.1							
NO		2014		±4.2							
NO		2014		±4.3							
NO		2014		±4.4							
NO		2014		±4.5							
NO		2014		±4.6							
NO		2014		±4.7							
NO		2014		±4.8							
NO		2014		±4.9							
NO		2014		±5.0							
NO		2014		±5.1							
NO		2014		±5.2							
NO		2014		±5.3							
NO		2014		±5.4							
NO		2014		±5.5							
NO		2014		±5.6							
NO		2014		±5.7							
NO		2014		±5.8							
NO		2014		±5.9							
NO		2014		±6.0							
NO		2014		±6.1							
NO		2014		±6.2							
NO		2014		±6.3							
NO		2014		±6.4							
NO		2014		±6.5							
NO		2014		±6.6							
NO		2014		±6.7							
NO		2014		±6.8							
NO		2014		±6.9							
NO		2014		±7.0							
NO		2014		±7.1							
NO		2014		±7.2							
NO		2014		±7.3							
NO		2014		±7.4							
NO		2014		±7.5							
NO		2014		±7.6							
NO		2014		±7.7							
NO		2014		±7.8							
NO		2014		±7.9							
NO		2014		±8.0							
NO		2014		±8.1							
NO		2014		±8.2							
NO		2014		±8.3							
NO		2014		±8.4							
NO		2014		±8.5							
NO		2014		±8.6							
NO		2014		±8.7							
NO		2014		±8.8							
NO		2014		±8.9							
NO		2014		±9.0							
NO		2014		±9.1							
NO		2014		±9.2							
NO		2014		±9.3							
NO		2014		±9.4							
NO		2014		±9.5							
NO		2014		±9.6							
NO		2014		±9.7							
NO		2014		±9.8							
NO		2014		±9.9							
NO		2014		±10.0							
NO		2014		±10.1							
NO		2014		±10.2							
NO		2014		±10.3							
NO		2014		±10.4							
NO		2014		±10.5							
NO		2014		±10.6							
NO		2014		±10.7							
NO		2014		±10.8							
NO		2014		±10.9							
NO		2014		±11.0							
NO		2014		±11.1							
NO		2014		±11.2							
NO		2014		±11.3							
NO		2014		±11.4							
NO		2014		±11.5							
NO		2014		±11.6							
NO		2014		±11.7							
NO		2014		±11.8							
NO		2014		±11.9							
NO		2014		±12.0							
NO		2014		±12.1							
NO		2014		±12.2							
NO		2014		±12.3							
NO		2014		±12.4							
NO		2014		±12.5							
NO		2014		±12.6							
NO		2014		±12.7							
NO		2014		±12.8							
NO		2014		±12.9							
NO		2014		±13.0							
NO		2014		±13.1							
NO		2014		±13.2							
NO		2014		±13.3							
NO		2014		±13.4							
NO		2014		±13.5							
NO		2014		±13.6							
NO		2014		±13.7							
NO		2014		±13.8							
NO		2014		±13.9							
NO		2014		±14.0							
NO		2014		±14.1							
NO		2014		±14.2							
NO		2014		±14.3							
NO		2014		±14.4							
NO		2014		±14.5							
NO		2014		±14.6							
NO		2014		±14.7							
NO		2014		±14.8							
NO		2014		±14.9							
NO		201									