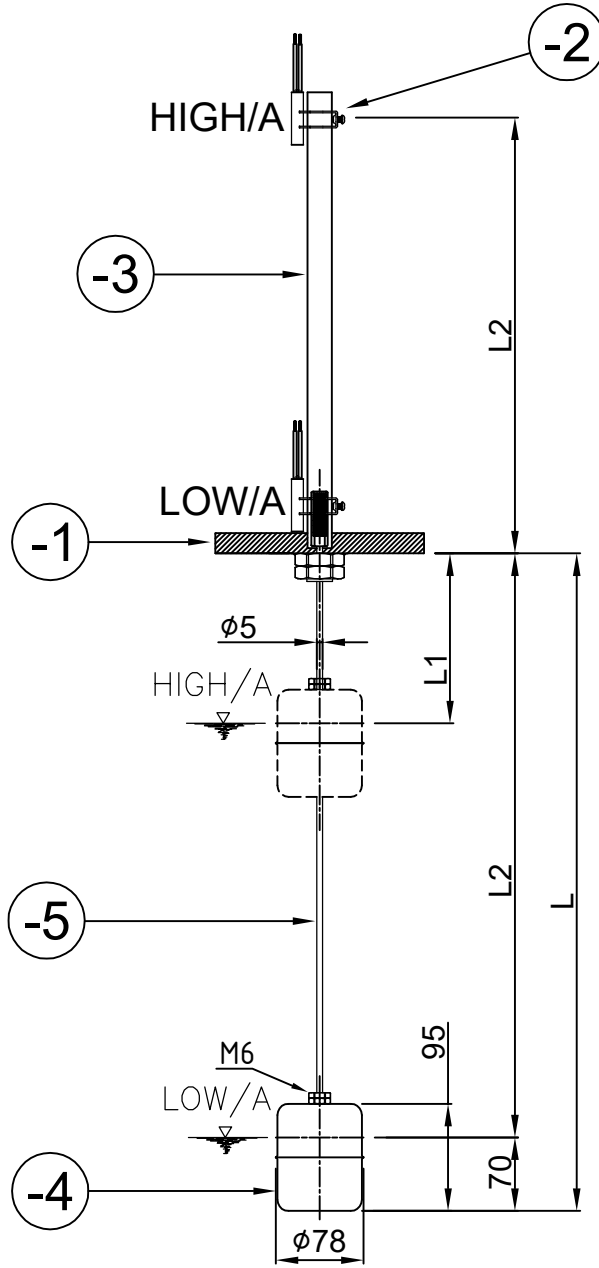


ON D/M/D

THIS DRAWING IS PROPRIETARY TO DSS
NO PART OF THIS DRAWING MAY BE REPRODUCED
WITHOUT THE PERMISSION OF DSS
이 기밀이 복사될 수 없음



(UNIT:mm)				
L	L1	L2	-	-
-				
-5	SHAFT	1	SUS304	
-4	FLOAT	1	SUS304	
-3	PIPE	1	SUS304	
-2	STOPPER	2	SUS304	
-1	FLANGE	1	SUS304	
1	DC-20S-1F-2PT	1SET	-	
ITEM NO	PART NAME	QTY	MATERIAL	
SPECIFICATION				
MODEL NAME		DC-20S-1F-2PT		
PRESSURE		MAX.5Kg f /cm 2		
TEMPERATURE		-40 ~ 250°C		
APPLICATIONS		HIGH VISCOCITY LIQUID		
OUTPUT SIGNAL		H.L		
INPUT SINGAL		DC24V		
MOUNTING METHOD		TOP		
MOUNTING SIZE		ORDER MADE		
LENGTH(L)		ORDER MADE (Max.1500)		
REMARKS :				
ORDER MADE(L1, L2, L=L2+70)				

NO	DATE	REVISION	APPRO BY

TOLERANCES-UNLESS OTHERWISE SPECIFIED				
WORK SIZE	TURN FINISHG DIST OF HOLE STR.	MLDG. DIE CSTG. PRON. CSTG. DRAW.	SH MET WELD GAS CTG.	CSTG. FORMS
OVER 1	±0.1	±0.2	±0.3	±0.5
4	±0.2	±0.3	±0.5	±0.7
16	±0.3	±0.4	±0.7	±0.9
63	±0.4	±0.6	±1.0	±1.3
250	±0.6	±0.8	±1.5	±1.8
500	±0.8	±1.0	±2.0	±2.5
1000	±1.0	±1.5	±2.5	±3.3
2000	±1.5	±2.0	±3.3	±4.5
ANGLE	±.25°	±.5°	±1.0°	±2.0°

DONG SUNG SENSORS CO.,LTD. TEL:(02)2101-0688~9 FAX:(02)2101-0687				UNIT 단위	MM, INCH
표준	DRWN BY J.H.HAN	DSND BY K.B.HAN	CHKD BY K.B.HAN	APPD BY K.B.HAN	SCALE 3RD ANGLE 3각법
일시	DATE 2018.02.05.		DATE 2018.02.06.		REF. NO 참고도면

APPAR.	
TITLE 제목	DC-20S-1F-2PT
DWG. NO 도면번호	-
	1/1