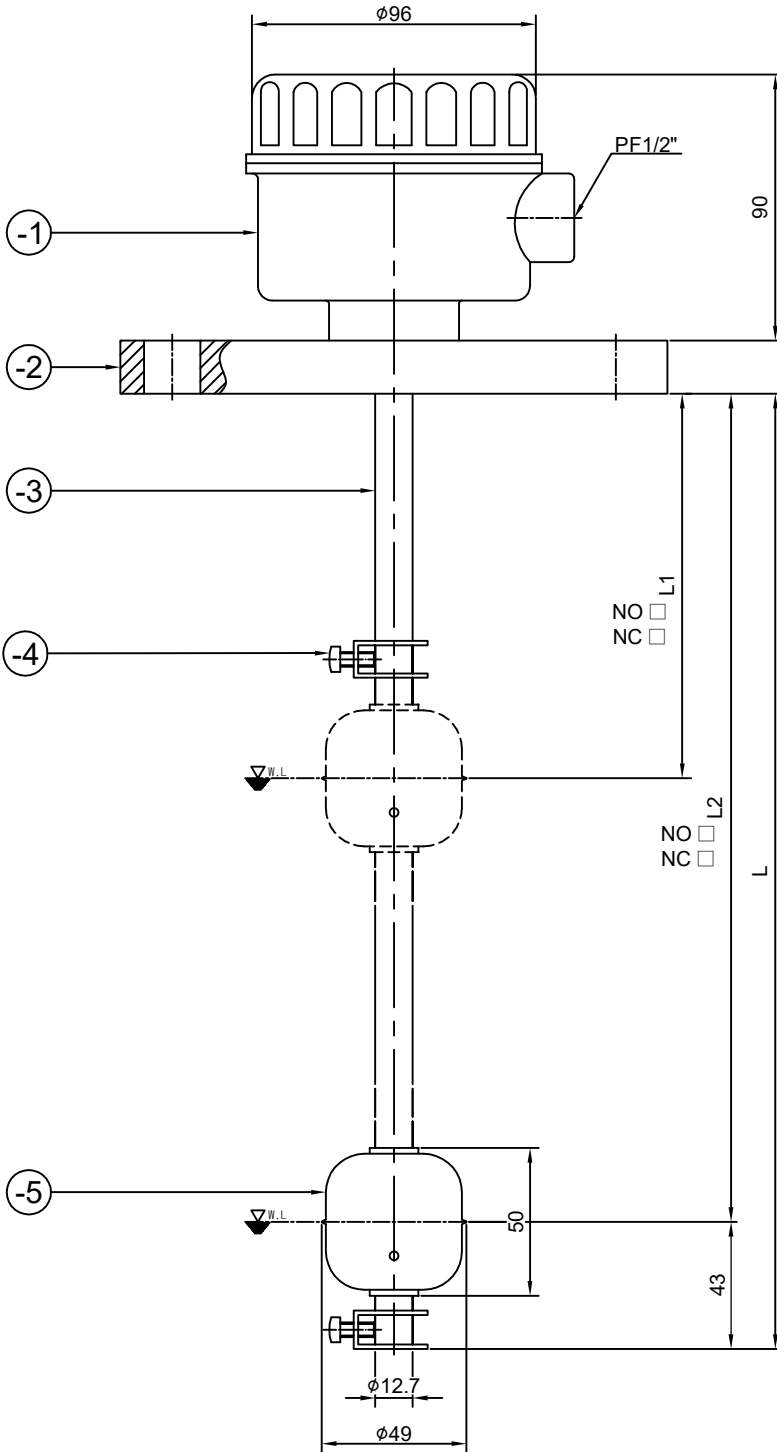


DONG SUNG SENSORS

THIS DRAWING IS PROPRIETARY TO DSS
NO PART OF THIS DRAWING MAY BE REPRODUCED
WITHOUT THE PERMISSION OF DSS
이 기 호 이 내 독 자 사 물 주 유 한



(UNIT:mm)

L	L1	L2	-	-
-5	FLOAT	1	SUS304	
-4	STOPPER	2	SUS304	
-3	PIPE	1	SUS304	
-2	FLANGE	1	SUS304	
-1	HEAD	1	A.B.S	
1	DC-20S-1F-2P	1SET	-	
ITEM NO.	PART NAME	QTY	MATERIAL	
SPECIFICATION				
MODEL NAME		DC-20S-1F-2P		
PRESSURE		MAX.10Kgf/cm ²		
TEMPERATURE		MAX. -10 ~ +100°C		
APPLICATIONS		WATER, OIL, MEDICAL LIQUID		
SWITH CURRENT		AC220V, 1A		
MOUNTING METHOD		TOP		
MOUNTING SIZE		ORDER MADE SCREW or FLANGE		
MATERIAL		SUS304 / 316		
REMARKS :				
ORDER MADE(L1, L2, L=L2+43)				

배 부 처

NO	DATE	REVISION	APPROVAL	TOLERANCES-UNLESS OTHERWISE SPECIFIED		DONG SUNG SENSORS CO.,LTD. TEL:(02)2101-0688-9 FAX:(02)2101-0687		UNIT	MM, INCH	APPAR.	-
△	2014.01.27	INITIAL RELEASE	K.B. HAN	WORK SIZE	TURN PUNCH	MOLD. DIE CASTG.	SH MET WELD GAS CTG.	SCALE	N/S	TITLE	DC-20S-1F-2P
				1 4 ±0.1 ±0.2 ±0.3 ±0.5	4 16 ±0.2 ±0.3 ±0.5 ±0.7	16 63 ±0.3 ±0.4 ±0.7 ±0.9	63 250 ±0.4 ±0.5 ±1.2 ±1.3	3RD ANGLE	3 각 법	DWG. NO	-
				250 500 ±0.6 ±0.8 ±1.5 ±1.8	500 1000 ±0.8 ±1.0 ±2.0 ±2.5	1000 2000 ±1.2 ±1.5 ±2.5 ±3.3	ANGLE	REF. NO	참고도면	DWG. NO	도면번호
				ANGLE ±.25° ±.5° ±1.0° ±2.0°	DATE	2019.08.01.	2019.08.01.	DRWN BY	J.H.HAN	CHKD BY	K.B.HAN
				표준	DATE	2019.08.01.	2019.08.01.	DSND BY	설계	CHKD BY	검토
				임시	DATE	2019.08.01.	2019.08.01.	APPD BY	승인		
				보류							