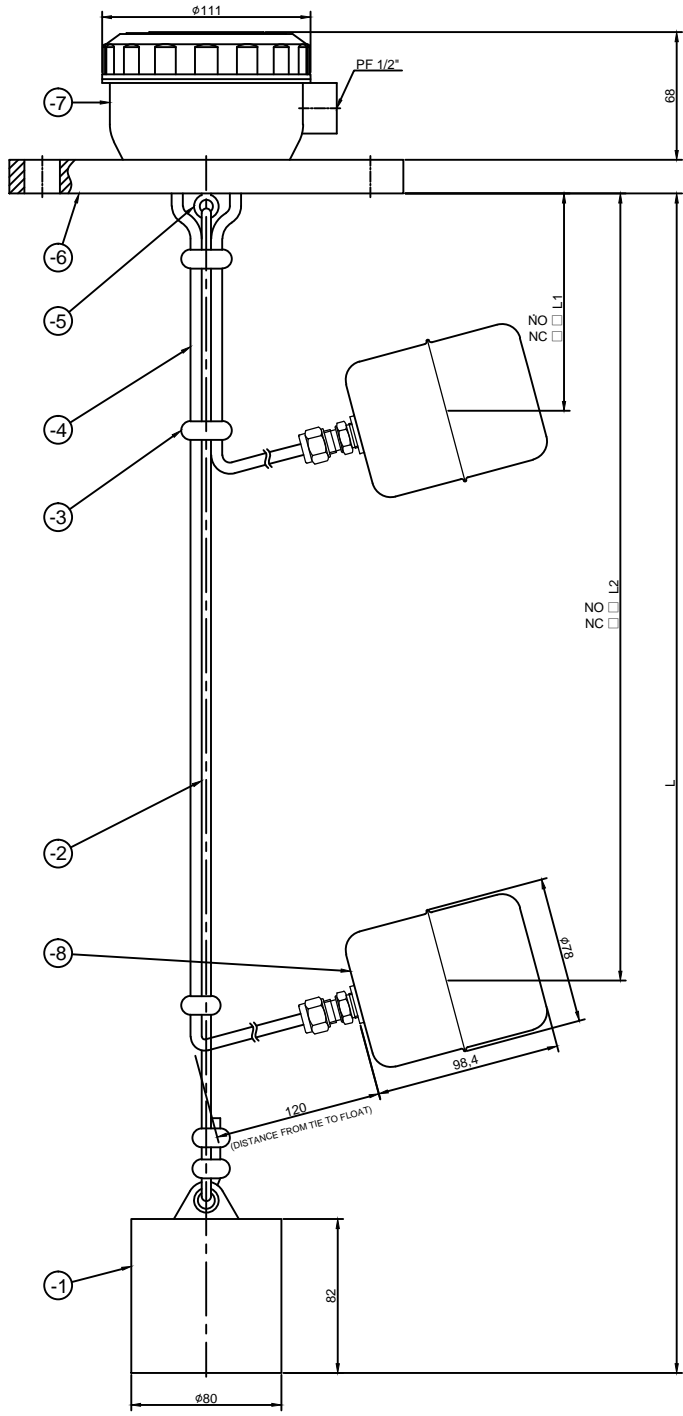


THIS DRAWING IS PROPRIETARY TO DSS
NO PART OF THIS DRAWING MAY BE REPRODUCED
WITHOUT THE PERMISSION OF D&S
해가없이 복사할 수 없음



(UNIT:mm)

L	L1	L2	-	-
-8	DQ-3	2	SUS304	
-7	HEAD	1	A.B.S	
-6	FLANGE	1	SUS304	
-5	EYE BOLT	1	SUS304	
-4	CABLE	2	SILICONE	
-3	SUS WIRES	5	SUS304	
-2	SUS WIRE	1	SUS304	
-1	WEIGHT	1	SUS304	
1	DQ-32F	1SET	-	
ITEM NO	PART NAME	QTY	MATERIAL	
SPECIFICATION				
MODEL NAME		DQ-32F		
PRESSURE		A.T.M		
TEMPERATURE		MAX.170°C		
APPLICATIONS		WATER, SLUDGY LIQUID, FACTORY DRAINAGE		
SWITCHING CURRENT		AC110V, 1A		
MOUNTING METHOD		TOP		
MOUNTING SIZE		ORDER MADE		
REMARKS : ORDER MADE(L, L1, L2)				

배부처									

APPD BY K.B. HAN	TOLERANCES-UNLESS OTHERWISE SPECIFIED				DONG SUNG SENSORS CO.,LTD. TEL:(02)2101-0688-9 FAX:(02)2101-0687	UNIT 단위 MM, INCH	APPAR.
	WORK SIZE	TURN PINCHG DIST OF HOLE STR.	MLDG. DIE CSTG. FROM CSTG. DRAW.	SH.MET WELD GAS CTG.			
REVISION	INITIAL RELEASE 2014.01.27	1 4 ±0.1 ±0.2 ±0.3 ±0.5	4 16 ±0.2 ±0.3 ±0.5 ±0.7	16 63 ±0.3 ±0.4 ±0.7 ±0.9	63 250 ±0.4 ±0.6 ±1.2 ±1.3	SCALE 척도 N/S	TITLE 제목 DQ-32F
DATE	2014.01.27	250 500 ±0.6 ±0.8 ±1.5 ±1.8	500 1000 ±0.8 ±1.0 ±2.0 ±2.5	1000 2000 ±1.2 ±1.5 ±2.5 ±3.3	ANGLE 각도 ±25° ±5° ±1.0° ±2.0°	3RD ANGLE 3각판	DWG. NO 도면번호
NO		표준				REF. NO 참고도면	1/1
		DRWN BY 제도 영시	DSND BY 설계 J.S.LIM	CHKD BY 검토 K.B.HAN	APPD BY 승인		
		DATE	2013.12.02.	2014.01.06.			