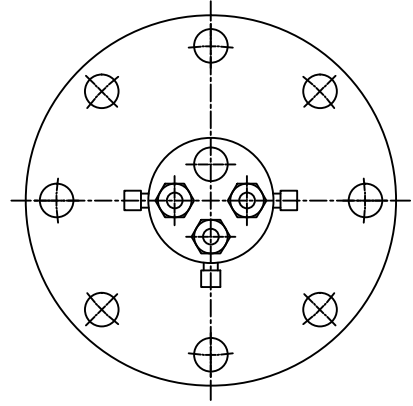
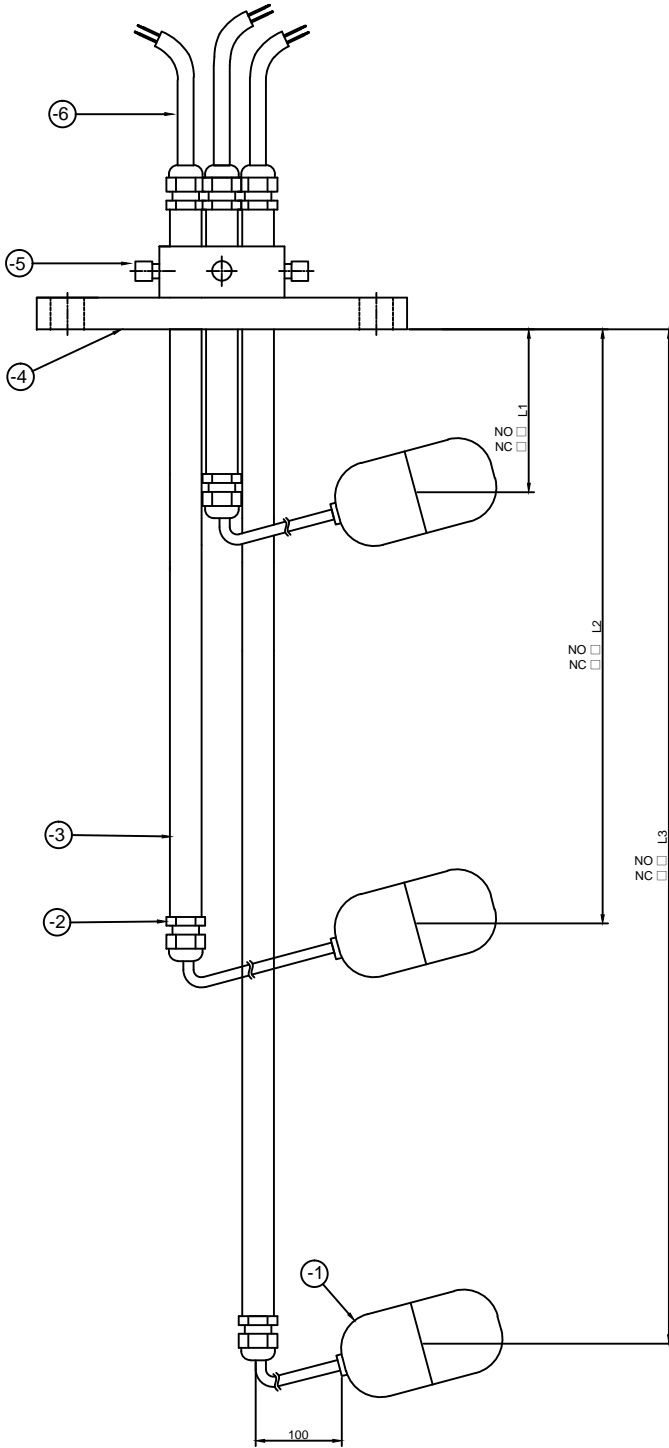


THIS DRAWING IS PROPRIETARY TO DSS.  
NO PART OF THIS DRAWING MAY BE REPRODUCED  
WITHOUT THE PERMISSION OF DSS.  
해당사항이 복사할 수 없음



(UNIT:mm)

	L1	L2	L3	L4
-6	CABLE	3	P.V.C	
-5	UP/DOWN BOLT	3	P.V.C	
-4	FLANGE	1	P.V.C	
-3	GUIDE PIPE	3	P.V.C	
-2	CABLE GRAND	6	A.B.S	
-1	DQ-2	3	A.B.S	
1	DQ-23FN	1SET	-	
ITEM NO	PART NAME	QTY	MATERIAL	

SPECIFICATION	
MODEL NAME	DQ-23FN
PRESSURE	A.T.M
TEMPERATURE	MAX.50°C
APPLICATIONS	WATER, SLUDGY LIQUID, FACTORY DRAINAGE
SWITCHING CURRENT	AC220V, 3A
MOUNTING METHOD	TOP
MOUNTING SIZE	ORDER MADE

REMARKS :  
ORDER MADE(L1, L2, L3, L4)

배부처


APPD BY	BY	K.B. HAN	TOLERANCES-UNLESS OTHERWISE SPECIFIED				
REVISION	INITIAL RELEASE	03.25	WORK SIZE	TURN FINISHG DIST OF HOLE STR.	M.L.D.G. DIE CSTD. PRCN. CSTD. DRAW.	SH.MET WELD GAS CTD.	CSTD. FORG.
DATE	2023.	03.25	1 4 ± 0.1	± 0.2	± 0.3	± 0.5	
			4 16 ± 0.2	± 0.3	± 0.5	± 0.7	
			16 63 ± 0.3	± 0.4	± 0.7	± 0.9	
			63 250 ± 0.4	± 0.5	± 1.2	± 1.3	
			250 500 ± 0.6	± 0.8	± 1.5	± 1.8	
			500 1000 ± 0.8	± 1.0	± 2.0	± 2.5	
			1000 2000 ± 1.2	± 1.5	± 2.5	± 3.3	
			ANGLE ± 25°	± 5°	± 1.0	± 2.0°	

<b>DONG SUNG SENSORS CO.,LTD.</b> TEL:(02)2101-0688-9 FAX:(02)2101-0687				UNIT	MM, INCH	APPAR.	-
표준	DRWN BY	DSND BY	CHKD BY	APPD BY	SCALE	TITLE	DQ-23FN
인시	제도	설계	검토	승인	N/S	제목	
도류	J.H.HAN	K.B.HAN			3RD ANGLE		
DATE	2023.03.25.	2023.03.25.			REF. NO	DWG. NO	1/1
					참고도면	도면번호	-

UNIT	MM, INCH	APPAR.	-
SCALE	N/S	TITLE	DQ-23FN
	3RD ANGLE		
	3 각 법		
REF. NO	DWG. NO		
참고도면	도면번호		