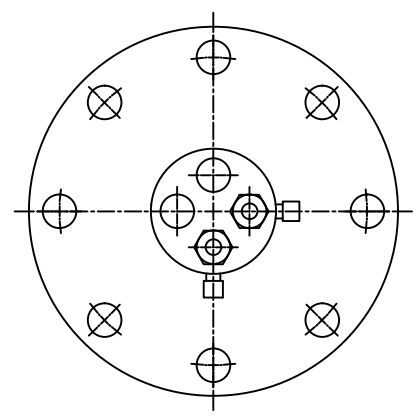
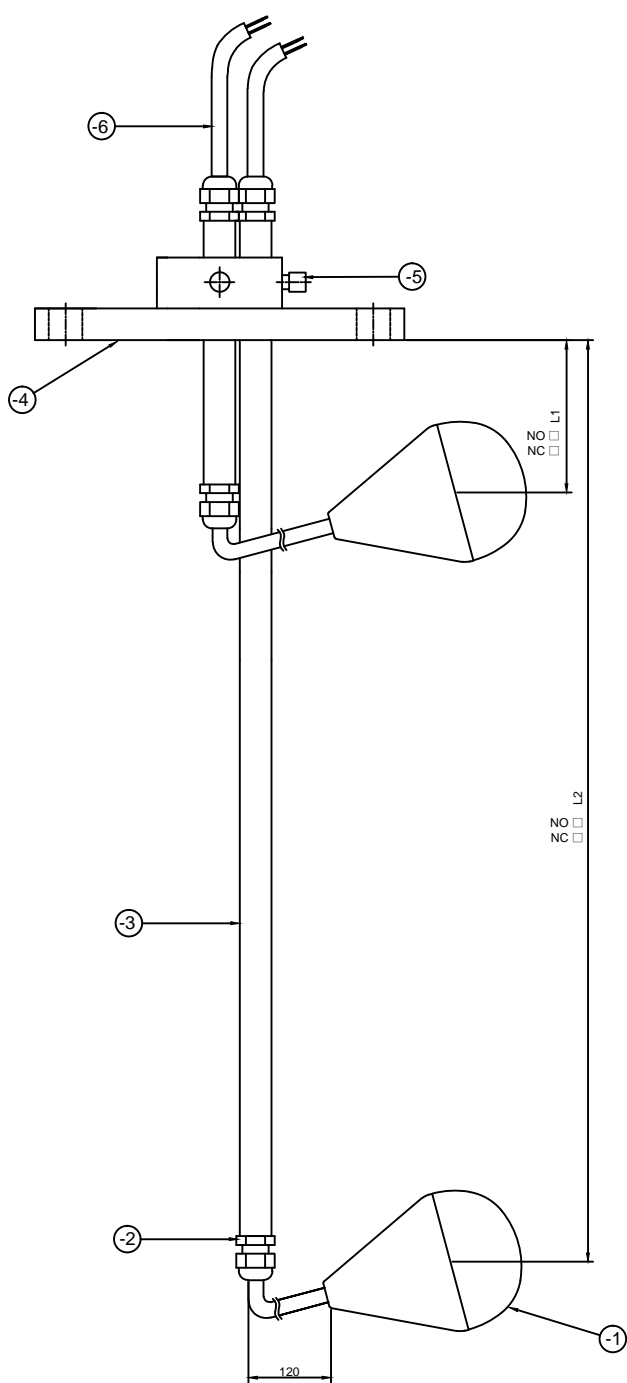


THIS DRAWING IS PROPRIETARY TO DSS
NO PART OF THIS DRAWING MAY BE REPRODUCED
WITHOUT THE PERMISSION OF DSS
해기요인이 복사할 수 없음



(UNIT:mm)

	L1	L2	L3	L4
-6	CABLE	2	P.V.C	
-5	UP/DOWN BOLT	2	P.V.C	
-4	FLANGE	1	P.V.C	
-3	GUIDE PIPE	2	P.V.C	
-2	CABLE GRAND	4	A.B.S	
-1	DQ-1	2	A.B.S	
1	DQ-12FN	1SET	-	
ITEM NO.	PART NAME	Q'TY	MATERIAL	
SPECIFICATION				
MODEL NAME		DQ-12FN		
PRESSURE		A.T.M		
TEMPERATURE		MAX.50°C		
APPLICATIONS		WATER, SLUDGY LIQUID, FACTORY DRAINAGE		
SWITCHING CURRENT		AC220V, 3A		
MOUNTING METHOD		TOP		
MOUNTING SIZE		ORDER MADE		
REMARKS :				
ORDER MADE(L1, L2, L3, L4)				

배부처									
-----	--	--	--	--	--	--	--	--	--

APPD BY	K.B.HAN	TOLERANCES-UNLESS OTHERWISE SPECIFIED				DONG SUNG SENSORS CO., LTD. TEL:(02)2101-0688-9 FAX:(02)2101-0687	UNIT	MM, INCH	APPAR.	-
REVISION		WORK SIZE	TURN PNCNG. DIST. OF HOLE STR.	MLDG. DIE CSTG. PRON. CSTG. DRAW.	SH.MET WELD GAS CTG.		CSTG. FORG.	SCALE	N/S	TITLE
DATE	2023.03.25	1 4 ±0.1 ±0.2 ±0.3 ±0.5	4 16 ±0.2 ±0.3 ±0.5 ±0.7	16 63 ±0.3 ±0.4 ±0.7 ±0.9	63 250 ±0.4 ±0.6 ±1.2 ±1.3	250 500 ±0.6 ±0.8 ±1.5 ±1.8	500 1000 ±0.8 ±1.0 ±2.0 ±2.5	3RD ANGLE	3 각 법	
NO	△	1000 2000 ±1.2 ±1.5 ±2.5 ±3.3	ANGLE ±.25° ±.5° ±1.0 ±2.0°	DATE	2023.03.25.	2023.03.25.	REF. NO	참고도면	DWG. NO	-
DRWN BY: J.H.HAN DSND BY: 설 계 CHKD BY: 강 토 APPD BY: 승 인 DATE: 2023.03.25. DATE: 2023.03.25.										
DWG. NO: - 1/1										