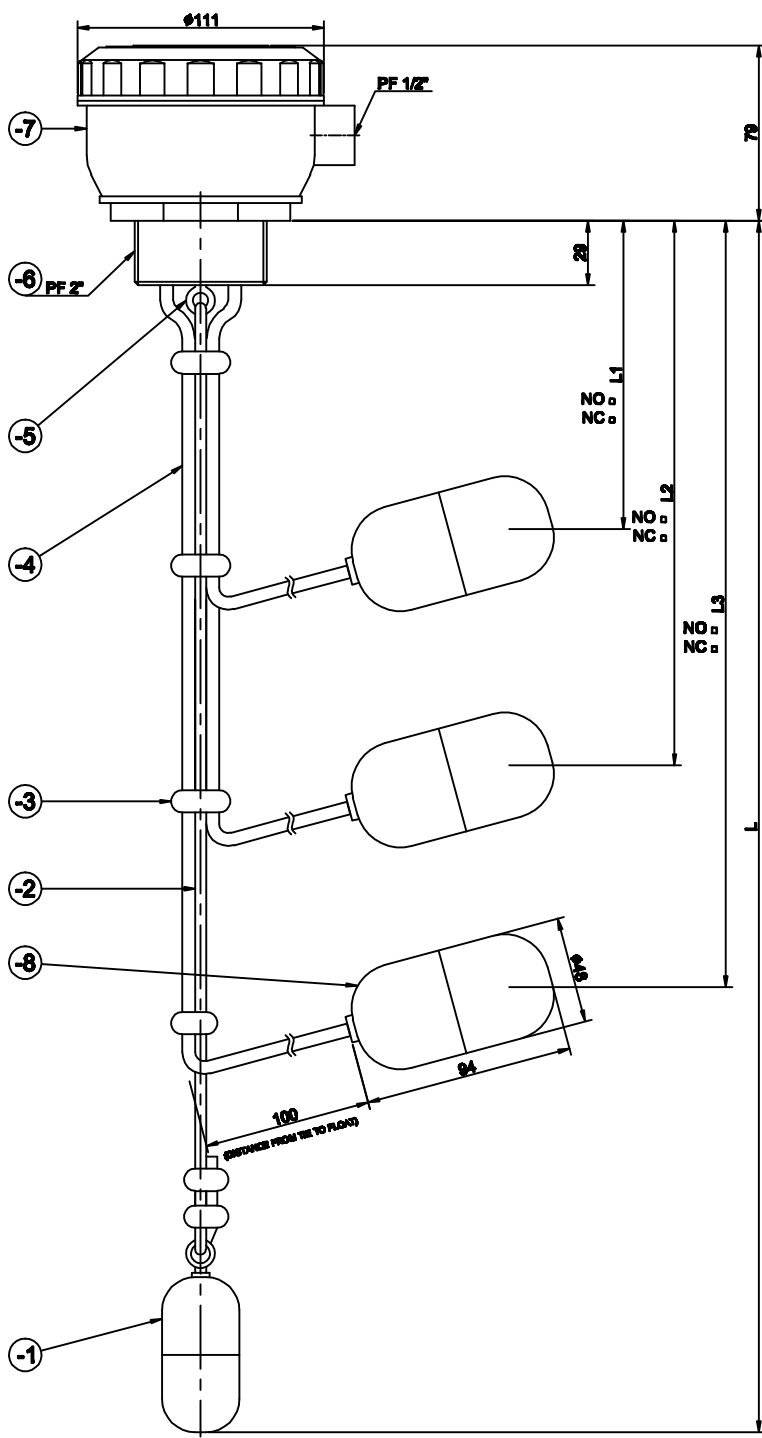


DWG NO
-

THIS DRAWING IS PROPRIETARY TO DMS
NO PART OF THIS DRAWING MAY BE REPRODUCED
WITHOUT THE PERMISSION OF DMS
DMS/2014.01.27

배부처



| (UNIT:mm) | | | | |
|---------------------------|-----------|--|----------|---|
| L | L1 | L2 | L3 | - |
| -8 | DQ-2 | 3 | ABS | |
| -7 | HEAD | 1 | ABS | |
| -6 | BUSHING | 1 | ABS | |
| -5 | EYE BOLT | 1 | NYLON | |
| -4 | CABLE | 3 | NEOPRENE | |
| -3 | CABLE TIE | 6 | ABS | |
| -2 | P.P WIRE | 1 | P.P | |
| -1 | WEIGHT | 1 | ABS+SS41 | |
| 1 | DQ-23N | 1SET | - | |
| ITEM NO | PART NAME | QTY | MATERIAL | |
| SPECIFICATION | | | | |
| MODEL NAME | | DQ-23N | | |
| PRESSURE | | A.T.M | | |
| TEMPERATURE | | MAX.50°C | | |
| APPLICATIONS | | WATER, SLUDGY LIQUID, FACTORY DRAINAGE | | |
| SWITCHING CURRENT | | AC220V, 3A | | |
| MOUNTING METHOD | | TOP | | |
| MOUNTING SIZE | | PF 2" | | |
| REMARKS : | | | | |
| ORDER MADE(L, L1, L2, L3) | | | | |

| NO | DATE | REVISION | INITIAL RELEASE | TOLERANCES-UNLESS OTHERWISE SPECIFIED | | | | | |
|----|------------|----------|-----------------|---------------------------------------|------|------|------|-------|-------|
| | | | | WORK | TURN | MAX. | MIN. | ANGLE | FORM |
| 1 | 2014.01.27 | | | ±0.1 | ±0.2 | ±0.3 | ±0.5 | ±0.5 | ±0.7 |
| 2 | | | | ±0.2 | ±0.3 | ±0.4 | ±0.7 | ±0.8 | ±1.0 |
| 3 | | | | ±0.4 | ±0.5 | ±1.0 | ±1.5 | ±1.8 | ±2.5 |
| 4 | | | | ±0.5 | ±1.0 | ±2.0 | ±3.0 | ±3.5 | ±5.0 |
| 5 | | | | ±1.0 | ±2.0 | ±3.0 | ±5.0 | ±6.0 | ±10.0 |

DONG SUNG SENSORS CO.,LTD.
 TEL:(02)2025-9999-9 FAX:(02)2025-9997
 표준
 임시
 보류
 DATE 2013.12.02 2014.01.06

UNIT : MM, INCH
 SCALE : N/S
 3RD ANGLE : 3각법
 REF. NO : 참고도면
 DWG. NO : 도면번호

APPAR. : -
 TITLE : DQ-23N
 DWG. NO : -
 1/1