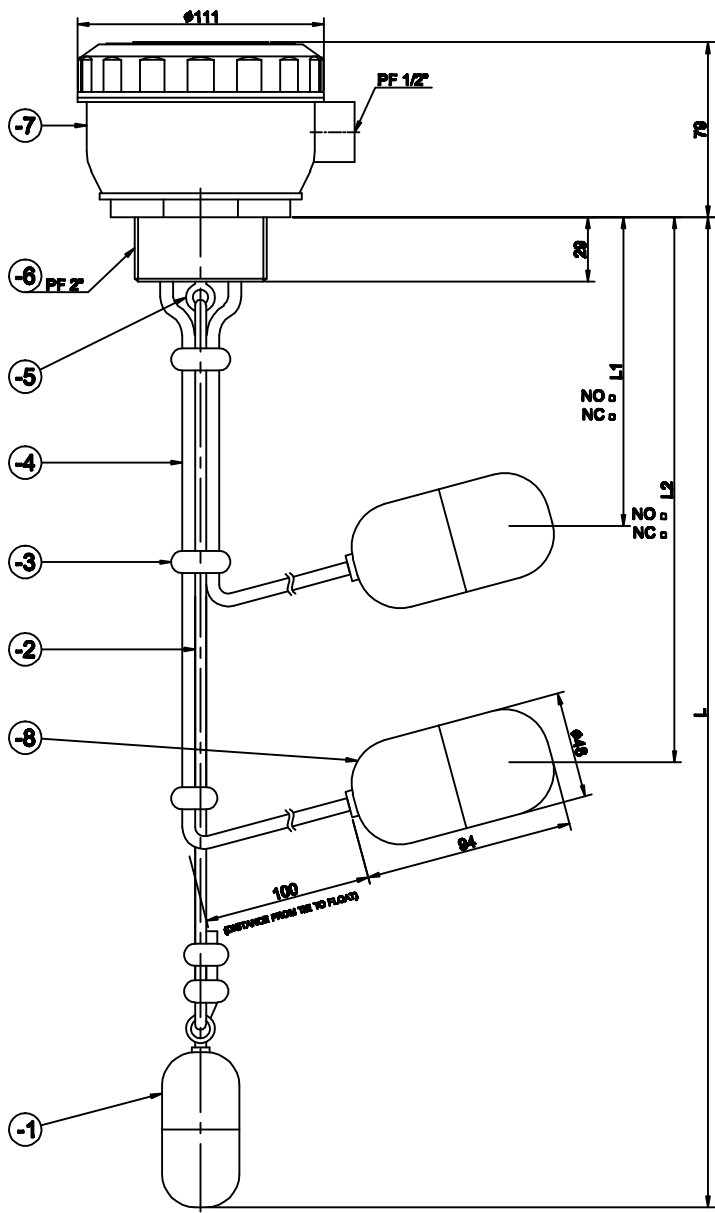


THIS DRAWING IS PROPRIETARY TO DMS
NO PART OF THIS DRAWING MAY BE REPRODUCED
WITHOUT THE PERMISSION OF DMS



(UNIT:mm)			
L	L1	L2	-
-8	DQ-2	2	A.B.S
-7	HEAD	1	A.B.S
-6	BUSHING	1	A.B.S
-5	EYE BOLT	1	NYLON
-4	CABLE	2	NEOPRENE
-3	CABLE TIE	5	A.B.S
-2	P.P WIRE	1	P.P
-1	WEIGHT	1	ABS+SS41
1	DQ-22N	1SET	-
ITEM NO	PART NAME	QTY	MATERIAL
SPECIFICATION			
MODEL NAME	DQ-22N		
PRESSURE	A.T.M		
TEMPERATURE	MAX.50°C		
APPLICATIONS	WATER, SLUDGY LIQUID, FACTORY DRAINAGE		
SWITCHING CURRENT	AC220V, 3A		
MOUNTING METHOD	TOP		
MOUNTING SIZE	PF 2"		
REMARKS :			
ORDER MADE(L, L1, L2)			

배부처

NO	DATE	REVISION	INITIAL RELEASE	K.L. HAN	APPRO BY	TOLERANCES-UNLESS OTHERWISE SPECIFIED	DONG SUNG SENSORS CO.,LTD. TEL:(02)2025-8888-9 FAX:(02)2025-8887	UNIT 단위	MM, INCH	APPAR.																																														
						<table border="1"> <tr> <th>WORK</th> <th>TURN</th> <th>PLANE</th> <th>ANGLE</th> <th>CHAM</th> <th>FORM</th> </tr> <tr> <td>±0.1</td> <td>±0.2</td> <td>±0.3</td> <td>±0.5</td> <td>±0.5</td> <td>±0.7</td> </tr> <tr> <td>±0.2</td> <td>±0.3</td> <td>±0.4</td> <td>±0.7</td> <td>±0.8</td> <td>±1.0</td> </tr> <tr> <td>±0.4</td> <td>±0.5</td> <td>±1.0</td> <td>±1.5</td> <td>±1.5</td> <td>±2.0</td> </tr> <tr> <td>±0.6</td> <td>±1.0</td> <td>±2.0</td> <td>±3.0</td> <td>±3.0</td> <td>±4.0</td> </tr> <tr> <td>±1.0</td> <td>±1.5</td> <td>±2.5</td> <td>±4.0</td> <td>±4.0</td> <td>±5.0</td> </tr> <tr> <td>±2.0</td> <td>±3.0</td> <td>±5.0</td> <td>±8.0</td> <td>±8.0</td> <td>±10.0</td> </tr> </table>	WORK	TURN	PLANE	ANGLE	CHAM	FORM	±0.1	±0.2	±0.3	±0.5	±0.5	±0.7	±0.2	±0.3	±0.4	±0.7	±0.8	±1.0	±0.4	±0.5	±1.0	±1.5	±1.5	±2.0	±0.6	±1.0	±2.0	±3.0	±3.0	±4.0	±1.0	±1.5	±2.5	±4.0	±4.0	±5.0	±2.0	±3.0	±5.0	±8.0	±8.0	±10.0	표준	제도	설계	검표	승인	3RD ANGLE 3각법	N/S	TITLE 제목
WORK	TURN	PLANE	ANGLE	CHAM	FORM																																																			
±0.1	±0.2	±0.3	±0.5	±0.5	±0.7																																																			
±0.2	±0.3	±0.4	±0.7	±0.8	±1.0																																																			
±0.4	±0.5	±1.0	±1.5	±1.5	±2.0																																																			
±0.6	±1.0	±2.0	±3.0	±3.0	±4.0																																																			
±1.0	±1.5	±2.5	±4.0	±4.0	±5.0																																																			
±2.0	±3.0	±5.0	±8.0	±8.0	±10.0																																																			
						임시	J.S.LIM	K.B.HAN	REF. NO 참고도면	DWG. NO 도면번호																																														
						보류	2013.12.02.	2014.01.06.																																																
						DATE																																																		