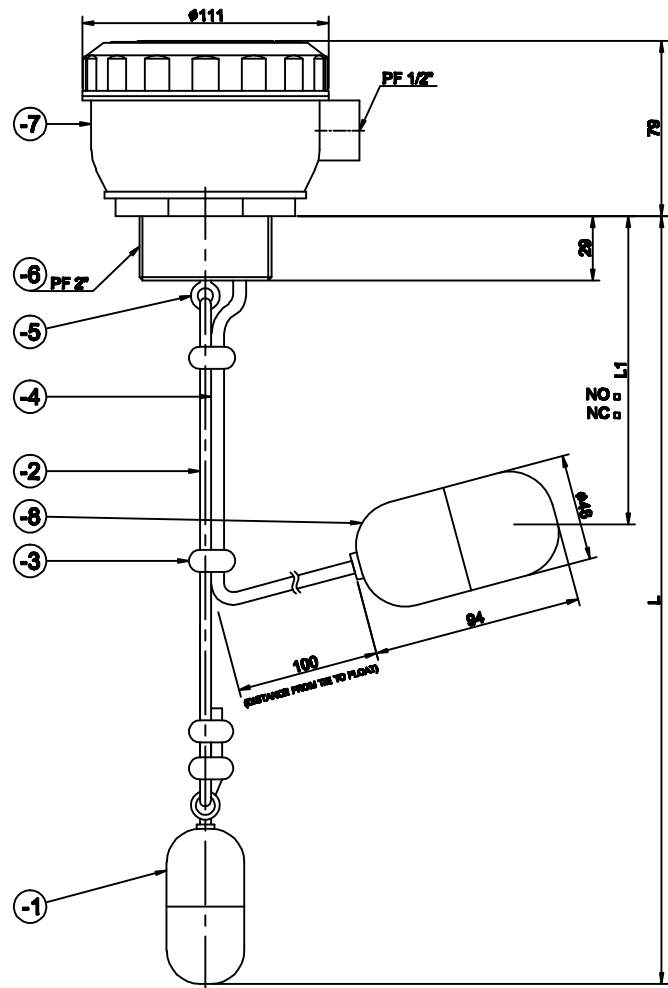


DWG NO
-

THIS DRAWING IS PROPRIETARY TO DMS
NO PART OF THIS DRAWING MAY BE REPRODUCED
WITHOUT THE PERMISSION OF DMS
DMS의 기밀 정보입니다



(UNIT:mm)			
L	L1	-	-
-8	DQ-2	1	A.B.S
-7	HEAD	1	A.B.S
-6	BUSHING	1	A.B.S
-5	EYE BOLT	1	NYLON
-4	CABLE	1	NEOPRENE
-3	CABLE TIE	4	A.B.S
-2	P.P WIRE	1	P.P
-1	WEIGHT	1	ABS+SS41
1	DQ-21N	1SET	-
ITEM NO	PART NAME	QTY	MATERIAL
SPECIFICATION			
MODEL NAME	DQ-21N		
PRESSURE	A.T.M		
TEMPERATURE	MAX.50°C		
APPLICATIONS	WATER, SLUDGY LIQUID, FACTORY DRAINAGE		
SWITCHING CURRENT	AC220V, 3A		
MOUNTING METHOD	TOP		
MOUNTING SIZE	PF 2"		
REMARKS :	ORDER MADE(L, L1)		

배부처

APPRO BY	K.B.HAN	DONG SUNG SENSORS CO.,LTD. TEL:(02)2025-9999-9 FAX:(02)2025-9997		UNIT	MM, INCH	APPAR.	-
REVISION	INITIAL RELEASE	표준		SCALE	N/S	TITLE	-
DATE	2014.01.27	임시		3RD ANGLE	3각법	제 목	DQ-21N
NO	1	보류		REF. NO	참고도면	DWG. NO	-
DATE	2013.12.02	2014.01.06				도면번호	1/1